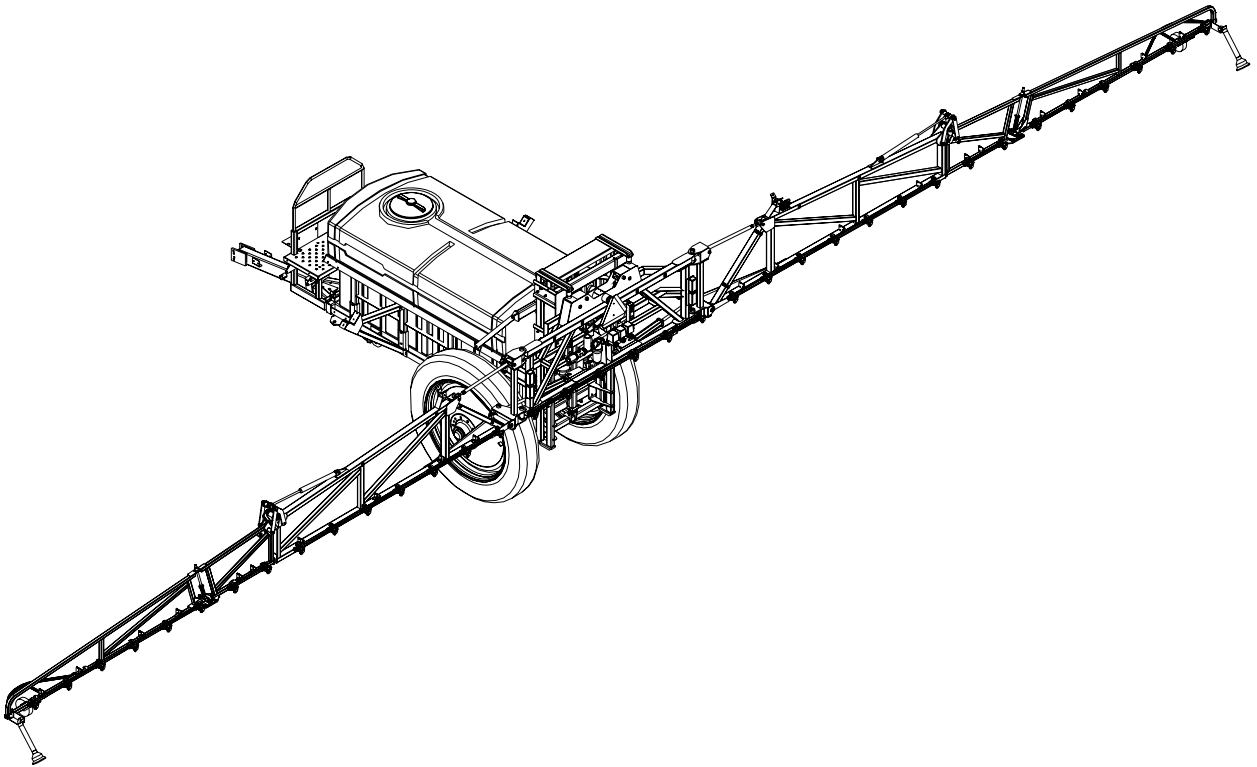




PARTS MANUAL



60' HYDRAULIC FRONT-FOLD BOOMS -TA1100 & TA112 SPRAYERS- BEGINNING WITH SERIAL NUMBER B21200100

Unverferth Manufacturing Co., Inc.

TABLE of CONTENTS

Description.....	Page
Product Identification.....	3
Glider Frame.....	4
Glider H-Frame.....	6
Center Section.....	8
Twin Link Suspension System.....	10
Wing Pivot.....	11
Wing Tilt (Option).....	12
Main Wing.....	13
Outer Wing Fold Links.....	14
Outer Wings.....	15
Outer Wings.....	16
Outer Wing Break-Away.....	17
Decals.....	18
Electrical - Boom.....	19
Electrical - Spray.....	20
Hydraulic Valve Fittings.....	21
Hydraulic Valve.....	22
Hydraulic Cylinders.....	23
Latching Ram.....	24
Hydraulic System.....	26
Spray Control System.....	28
Spray Plumbing Hardware.....	30
Spray Plumbing Tubes & Nozzles.....	31
Spray Plumbing - 60' 3-Section Boom.....	32
Spray Plumbing - 60' 4-Section Boom.....	34
Boom Hydraulic Schematic.....	36
Electric Fence Row Nozzle Kit (Optional).....	37
Ball Valve Manifold.....	38

Product Identification

When ordering parts or when requesting further information or assistance, always provide the following information:

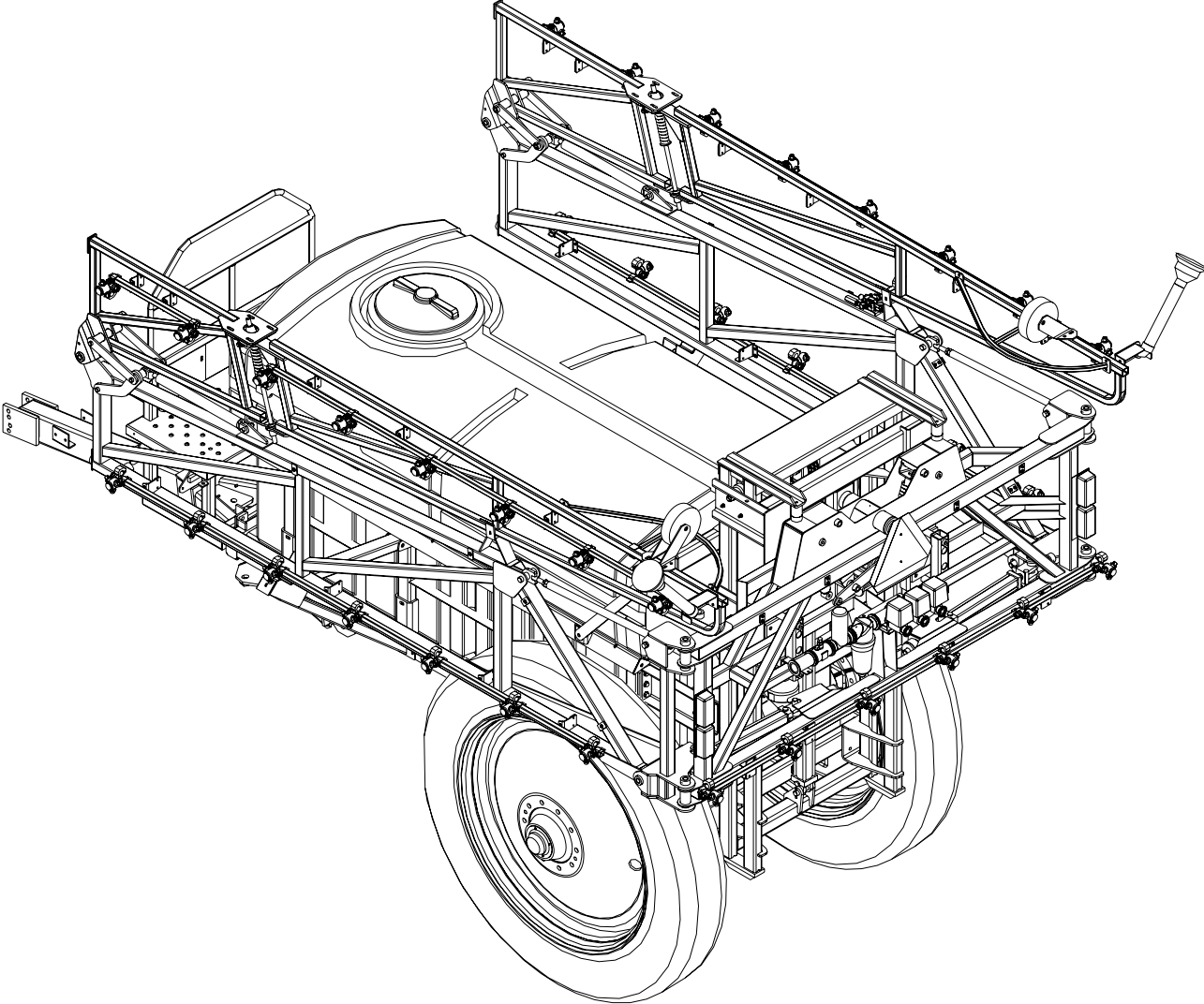
- Machine name
- Model number
- Serial number

Please fill out and retain this portion for your records. The serial number decals for the base frame and wing frame are located on the front surface of each frame.

Purchase date _____ Model _____ Serial no.'s _____

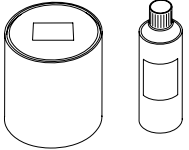
Dealer _____ City _____

Dealer Contact _____ Phone _____

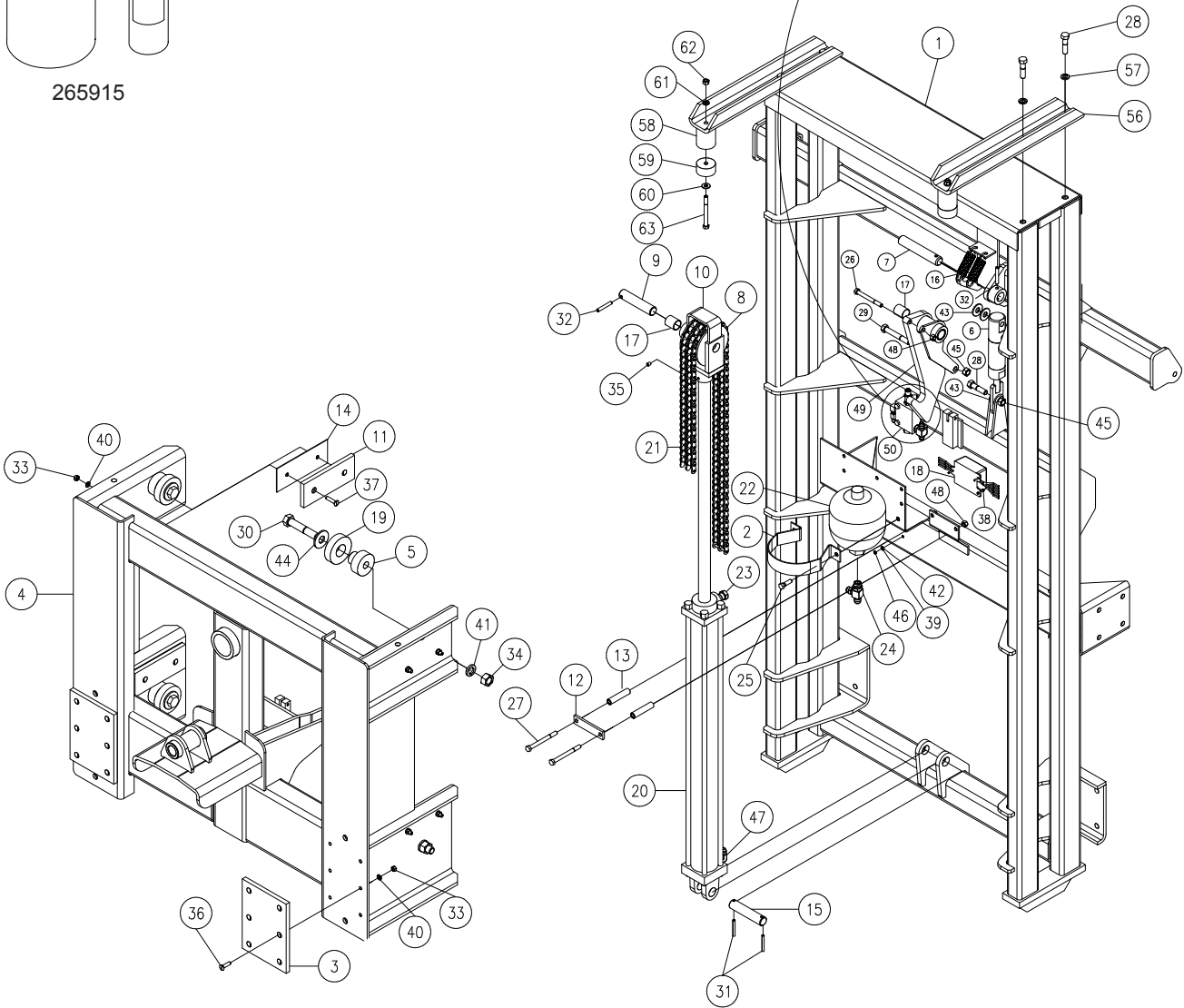
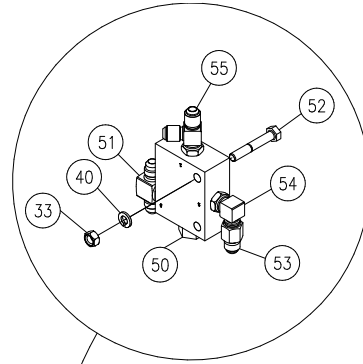


GLIDER FRAME (1100 ONLY)

PAINT	GALLON	SPRAY
Black	9000913	9000533
Green	9002594	9001791
Red	9002593	9002197
Primer, Gray	NA	9000592
Primer, White	9001669	NA
Graphite	95201	NA



265915



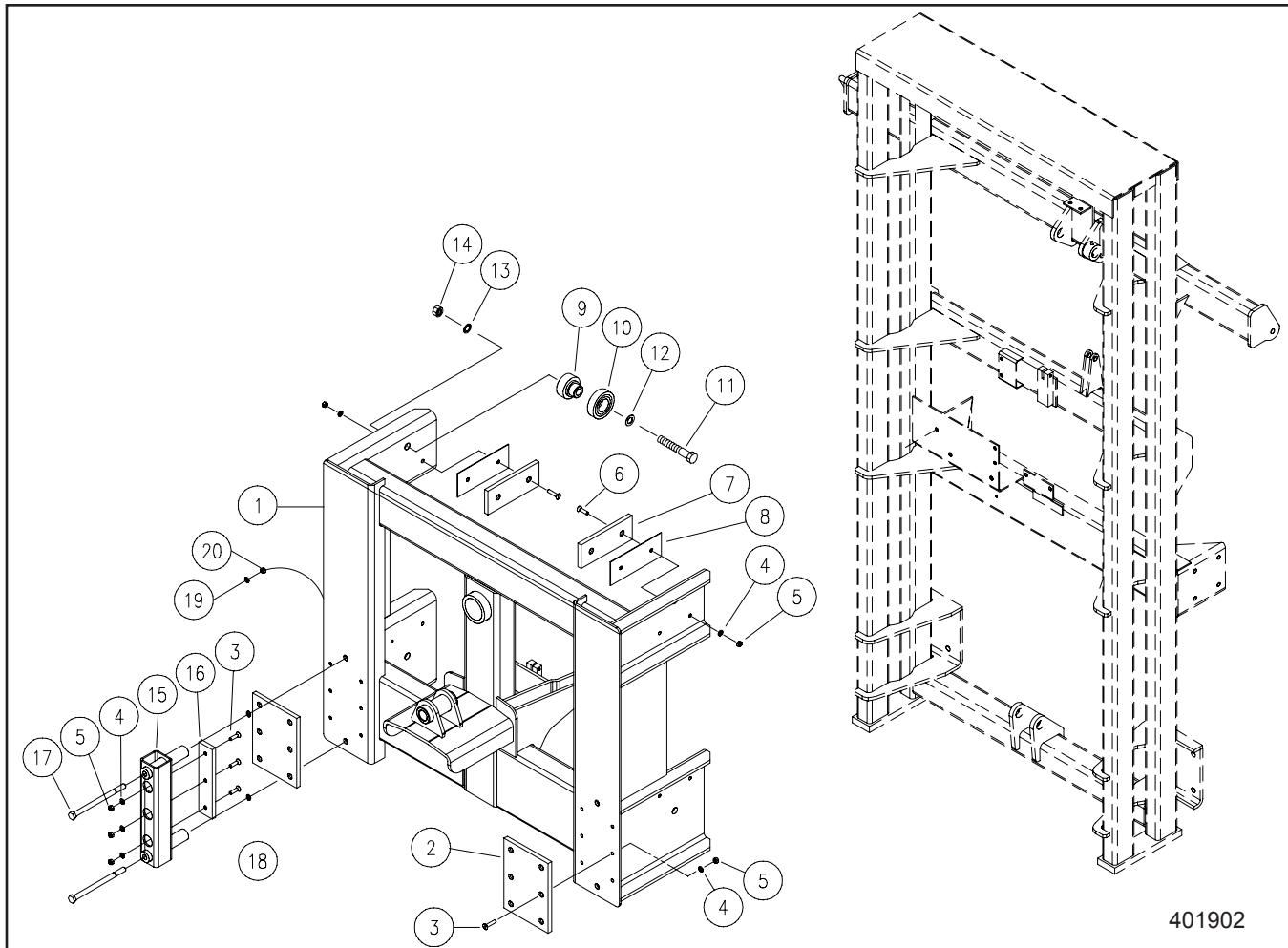
401997

GLIDER FRAME (1100 ONLY)

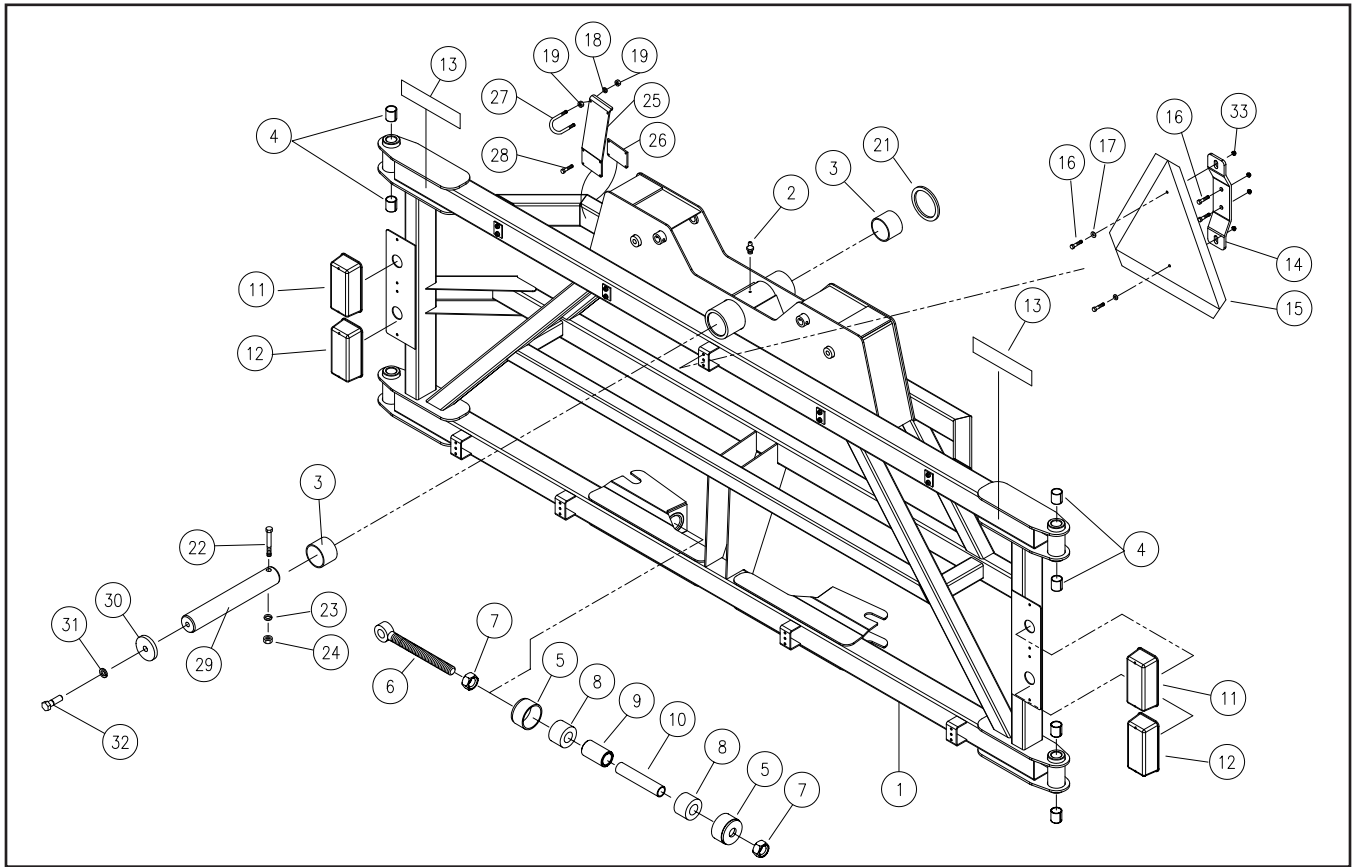
ITEM	DESCRIPTION	PART NO.	QTY	NOTES
1	Glider Frame Weldment	401530B	1	
2	Accumulator Clamp	400665B	1	
3	Poly Wear Pad	401099	2	
4	Glider H-Frame Weldment	401500B	1	
5	Bushing, Spacer 2 1/2" O.D. x 2 1/16" Long	401516	4	
6	Latch Ram Assembly	400200	1	
7	Latch Pin 1" Dia. x 5 3/4	401553	1	
8	Roller 4 5/8" O.D. x 1 1/8" I.D. x 2 3/4" Long	401557	1	
9	Chain Roller Pin 1" Dia. x 4 5/8	401558	1	
10	Cylinder Mount Weldment	401560B	1	
11	Poly Guide Pad	401562	4	
12	Cylinder Strap Plate	401567B	1	
13	Tube, Spacer 5/8" O.D. x 2 13/16" Long	401568B	2	
14	Shim Plate 3 x 7 1/2	401571B	4	
15	Cylinder Pin 1" Dia. x 4 5/8	807450	1	
16	Extension Spring 1" Dia. x 3 1/4	9002044	2	
17	Self-Lubricating Bushing 1.13 O.D. x 1 1/4" Long	9003440	4	
18	Enhanced Light Module	9003631	1	
19	Roller Bearing	9003754	4	
20	Tie Rod Cylinder 2 1/2 x 30	9003755	1	
21	Double 60 Roller Chain	9003961	1	
22	Accumulator, Hydraulic	9003796	1	
23	Breather Plug 3/4-16 O-Ring	9003825	1	
24	Tee 3/4-16 JIC Male x 3/4-16 O-Ring Male x 3/4-16 JIC Male	93588	1	
25	Capscrew 3/8-16UNC x 1 1/4	9390-056	2	Grade 5
26	Capscrew 3/8-16UNC x 3 1/2	9390-065	1	Grade 5
27	Capscrew 3/8-16UNC x 4	9390-067	2	Grade 5
28	Capscrew 1/2-13UNC x 2	9390-103	5	Grade 5
29	Capscrew 1/2-13UNC x 3 1/2	9390-109	1	Grade 5
30	Capscrew 3/4-10UNC x 4	9390-153	4	Grade 5
31	Roll Pin 1/4" Dia. x 2	9392-140	2	
32	Roll Pin 5/16" Dia. x 2	9392-159	2	
33	Hex Nut 5/16-18UNC	9394-004	16	Grade 5
34	Hex Nut 3/4-10UNC	9394-016	4	Grade 5
35	Set Screw 5/16-18UNC x 3/8 Cup Point/Hex Socket	9399-071	1	
36	Flat Head Screw 5/16-18UNC x 1 Slotted Machine Screw	9400-101	12	
37	Flat Head Screw 5/16-18UNC x 1 1/4 Slotted Machine Screw	9400-102	8	
38	Pan Head Screw #6-32UNC x 3/4 Slotted Machine Screw	9401-010	3	
39	Lock Washer, External Tooth #6	TA91207	3	
40	Lock Washer 5/16	9404-019	16	
41	Lock Washer 3/4	9404-033	4	
42	Flat Washer #6	9405-040	3	
43	Flat Washer 1/2	9405-088	4	
44	Flat Washer 3/4	9405-106	4	
45	Locknut 1/2-13UNC	94981	2	Grade 5
46	Hex Nut #6-32UNC	9830-013	3	Grade 2
47	90° Elbow 3/4-16 JIC Male x 3/4-16 O-Ring Male	9863		
48	Locknut 3/8-16UNC	9928		
49	Latch Weldment	402275B		
50	Valve Block, Pilot Operated	9003990		
51	Tee 9/16-18 JIC Male x 9/16-18 JIC Male x 9/16-18 O-Ring Male	9001710		
52	Capscrew 5/16-18UNC x 2	9390-034		Grade 5
53	Tube Reducer, w/0.045 Restrictor	9003303		
54	90° Elbow 9/16-18 JIC Male x 9/16-18 O-Ring Male	97445		
55	Tee 9/16-18 O-Ring Male x 9/16-18 JIC Male x 9/16-18 JIC Male	9004064		
56	Stop Plate	402037B		
57	Lock Washer 1/2	9404-025		
58	Stop Rod 2" Dia. x 2 5/16	402039B		
59	Rubber Bumper 2" Dia. x 1" Long	9003806		
60	Flat Washer 5/16	9405-070		
61	Lock Washer 3/8	9404-021		
62	Hex Nut 3/8-16UNC	9394-006		Grade 5
63	Capscrew 3/8-16UNC x 3 3/4	9390-066		Grade 5

GLIDER H-FRAME (1100 ONLY)

ITEM	DESCRIPTION	PART NO.	QTY	NOTES
1	Glider H-Frame Weldment	401500B	1	
2	Poly Wear Pad 6 1/2 x 8 7/8	401099	2	
3	Flat Head Screw 5/16-18UNC x 1 Slotted Machine Screw	9400-101	18	
4	Lock Washer 5/16	9404-019	14	
5	Hex Nut 5/16-18UNC	9394-004	14	Grade 5
6	Flat Head Screw 5/16-18UNC x 1 1/4 Slotted Machine Screw	9400-102	8	
7	Poly Guide Pad 3 x 7 1/2	401562	4	
8	Shim Plate	401571B	4	
9	Spacer Bushing 2 1/2" O.D. x 2 1/16" Long	401516	4	
10	Rolling Bearing 3.15" O.D.	9003754	4	
11	Capscrew 3/4-10UNC x 4	9390-153	4	Grade 5
12	Flat Washer 3/4	9405-106	4	
13	Lock Washer 3/4	9404-033	4	
14	Hex Nut 3/4-10UNC	9394-016	4	Grade 5
15	Clamp Weldment	401097B	2	
16	Poly Wear Pad 2 x 8 3/8	401251	2	
17	Capscrew 1/2-13UNC x 7 1/2	9390-118	4	Grade 5
18	Flat Washer 1/2	9405-088	4	
19	Lock Washer 1/2	9404-025	4	
20	Hex Nut 1/2-13UNC	9394-010	4	Grade 5



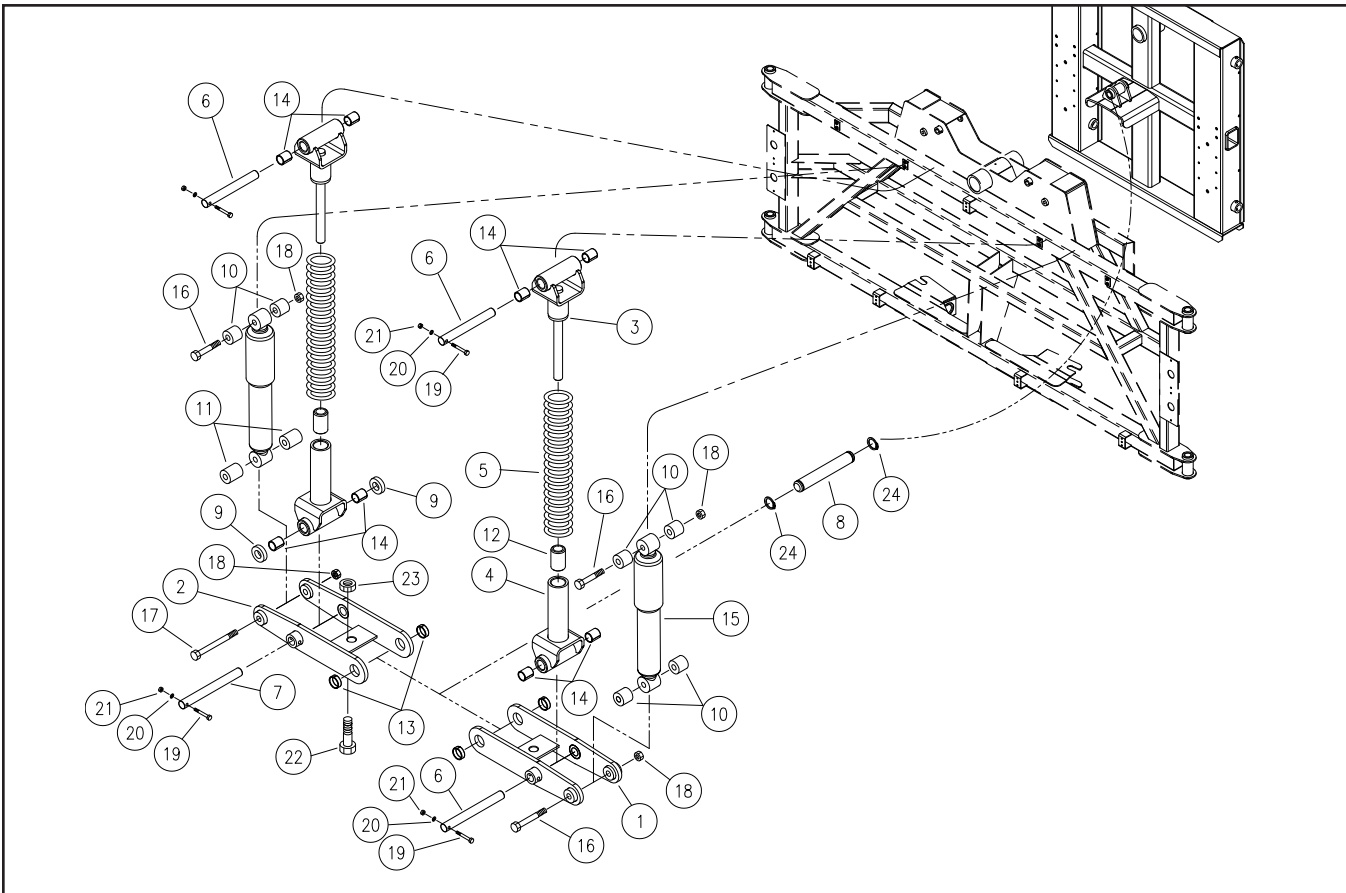
CENTER SECTION



ITEM	DESCRIPTION	PART NO.	QTY	NOTES
1	Center Section Weldment	402043B	1	
2	Grease Zerk	91160	1	
3	Self-Lubricating Bearing 2.753 O.D. x 2" Long	9003749	2	
4	Self-Lubricating Bearing 1.13 O.D. x 1 1/4" Long	9003440	8	
5	Canister Weldment	401280B	4	
6	Adjustment Eye Weldment	401072	2	
7	Hex Jam Nut 1-8UNC	900911-020	4	Stainless Steel
8	Urethane Spring 2 1/2" O.D. x 1 3/4" Long	9003775	4	
9	Wear Bushing 1.760 O.D. x 3" Long	401279	2	
10	Spring Sleeve Bushing 1 1/4" O.D. x 6 5/16" Long	401272	2	
11	Amber Light	9003135	2	
12	Red Light	9003136	2	
13	Reflector =Red= (2 x 9)	9003126	2	
14	SMV Bracket	402252B	1	
15	SMV Emblem	TA510514	1	
16	Capscrew 1/4-20UNC x 1	900900-005	4	Stainless Steel
17	Flat Washer 1/4	900902-032	2	Stainless Steel
18	Lock Washer 1/4	9404-017	6	Model 1100 Only
19	Hex Nut 1/4-20UNC (Grade 5)	9394-002	8	Model 1100 Only
21	Flat Washer, Hardened	9003100	A/R	
22	Capscrew 5/8-11UNC x 4 1/2	9390-133	1	
23	Lock Washer 5/8	9404-029	1	
24	Hex Nut 5/8-11UNC	9394-014	1	Grade 5
25	Hose Bundle Plate	402753B	1	Model 1100 ONLY
26	Bolt Plate 3 15/16 x 4 7/8	402722B	1	Model 1100 ONLY
27	U-Bolt 1/4-20UNC	9004014	1	Model 1100 ONLY
28	Capscrew 1/4-20UNC x 3	9390-013	4	Model 1100 ONLY
29	Boom Pivot Pin Weldment 2 1/2" Dia. x 16 3/16	406207	1	
30	Washer 3 1/2" Dia.	406208	1	
31	Lock Washer 3/4"	9404-033	1	
32	Capscrew 3/4-10UNC x 2 1/2 (Grade 5)	9390-147	1	
33	Serrated Flange Nut 1/4-20UNC	9004720	4	Stainless Steel

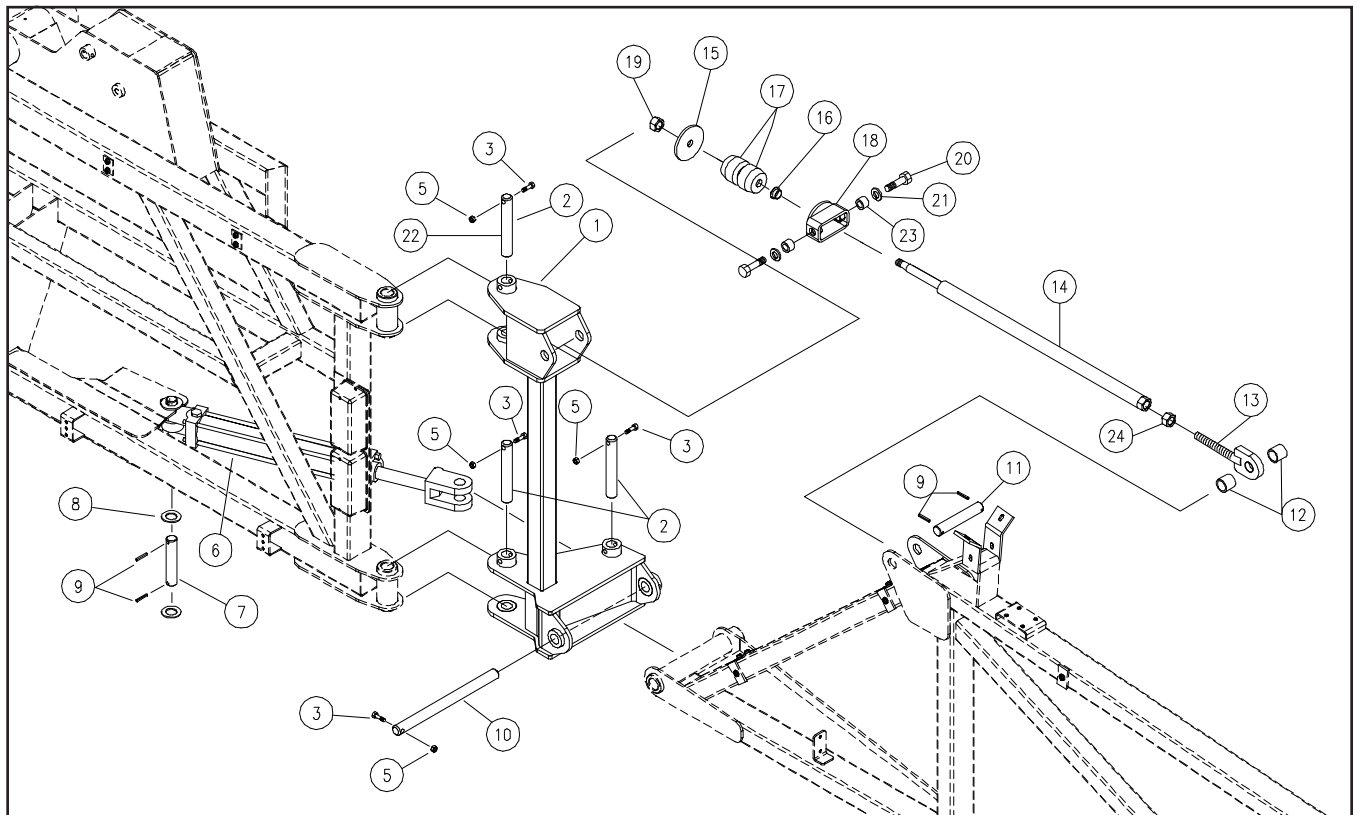
TWIN LINK SUSPENSION SYSTEM

ITEM	DESCRIPTION	PART NO.	QTY	NOTES
1	RH Link Arm Weldment	403234B	1	
2	LH Link Arm Weldment	403235B	1	
3	Spring Guide Weldment (Inner)	401082B	2	
4	Spring Bracket Weldment (Outer)	401088B	2	
5	Compression Spring 3" O.D. x 14 1/4	9001349B	2	
6	Spring Pin 3/4" Dia. x 6 3/16" Long	401095	3	
7	Spring Pin 3/4" Dia. x 7" Long	401096	1	
8	Spring Linkage Pin 1" Dia. x 6 3/4" Long	400537	1	
9	Spacer Bushing 1 1/2" O.D. x 3/8" Long	401091	2	
10	Spacer Bushing 1 1/4" O.D. x 1 1/16" Long	401092	6	
11	Spacer Bushing 1 1/4" O.D. x 1.531" Long	401093	2	
12	Wear Bushing 1 1/4" O.D. x 2" Long	401094	2	
13	Self-Lubricating Bushing 1.131" O.D. x 3/8" Long	9003751	4	
14	Self-Lubricating Bushing 0.882" O.D. x 1" Long	9003752	8	
15	Shock Absorber	9004050	2	
16	Capscrew 1/2-13UNC x 6 1/2	900900-116	3	Stainless Steel
17	Capscrew 1/2-13UNC x 7 1/2	900900-118	1	Stainless Steel
18	Locknut 1/2-13UNC	900906-010	4	Stainless Steel
19	Capscrew 1/4-20UNC x 1 3/4	900900-008	4	Stainless Steel
20	Lock Washer 1/4	900903-017	4	Stainless Steel
21	Hex Nut 1/4-20UNC	900901-002	4	Stainless Steel
22	Capscrew 3/4-10UNC x 2 1/4	900900-146	2	Stainless Steel
23	Hex Jam Nut 3/4-10UNC	900911-016	2	Stainless Steel
24	Retaining Ring 1"	91192	2	

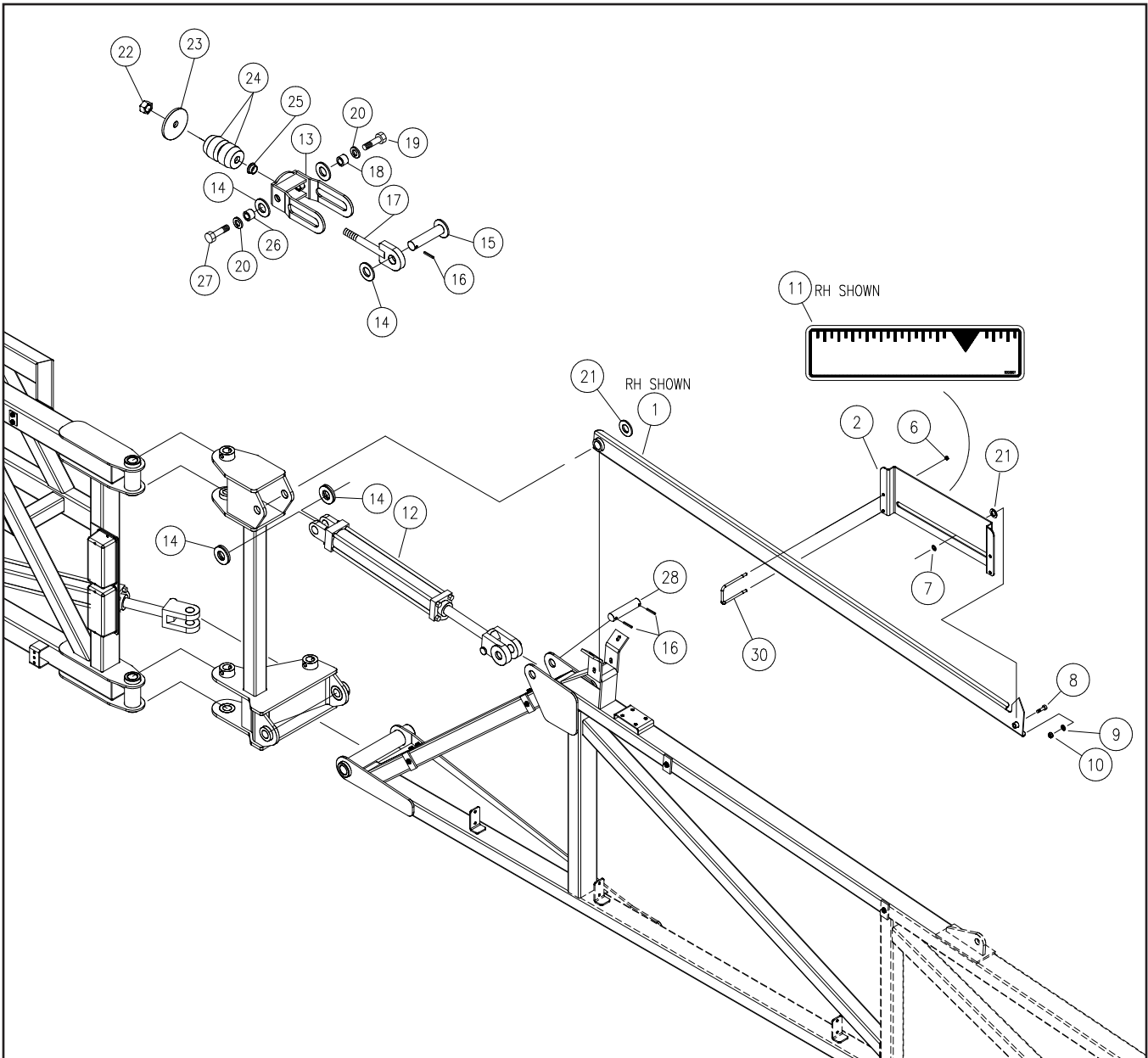


WING PIVOT

ITEM	DESCRIPTION	PART NO.	QTY	NOTES
1	RH Wing Pivot Weldment	402747B	1	
	LH Wing Pivot Weldment	402748B	1	
2	Hinge Pin 1" Dia. x 6 9/16" Long	400540	4	
3	Capscrew 3/8-16UNC x 2 1/4	900900-060	8	Stainless Steel
5	Lock Nut 3/8-16UNC	900906-006	8	Stainless Steel
6	Hydraulic Cylinder 2 x 14	9003959	2	
7	Cylinder Pin 1" Dia. x 5 1/16" Long	401765	2	
8	Flat Washer 1"	900902-058	4	Stainless Steel
9	Roll Pin 1/4" Dia. x 2" Long	900909-140	8	Stainless Steel
10	Tilt Pin 1" Dia. x 13 7/16" Long	401372	2	
11	Cylinder Pin 1" Dia. x 4 5/8" Long	807450	2	
12	Spacer Bushing 1.315" O.D. x 1 3/16" Long	402208	4	
13	Adjustment End Weldment	402204	2	
14	Adjustment Pipe Weldment	402201	2	
15	Spring Plate	402185	2	
16	Nylon Shoulder Washer 0.880 O.D.	9004055	2	
17	Rubber Spring	9004056	2	
18	Spring Trunnion Weldment	402182B	2	
19	Locknut 5/8-11UNC	900906-014	2	Stainless Steel
20	Capscrew 5/8-11UNC x 1 3/4	900900-123	4	Stainless Steel
21	Lock Washer 5/8	900903-029	4	Stainless Steel
22	Pin 1" Dia. x 7 1/16" Long	401473	2	
23	Spacer Bushing 1" O.D. x 11/16" Long	402186	4	
24	Hex Jam Nut 3/4-10UNC	900911-016	2	Stainless Steel



WING TILT - OPTIONAL

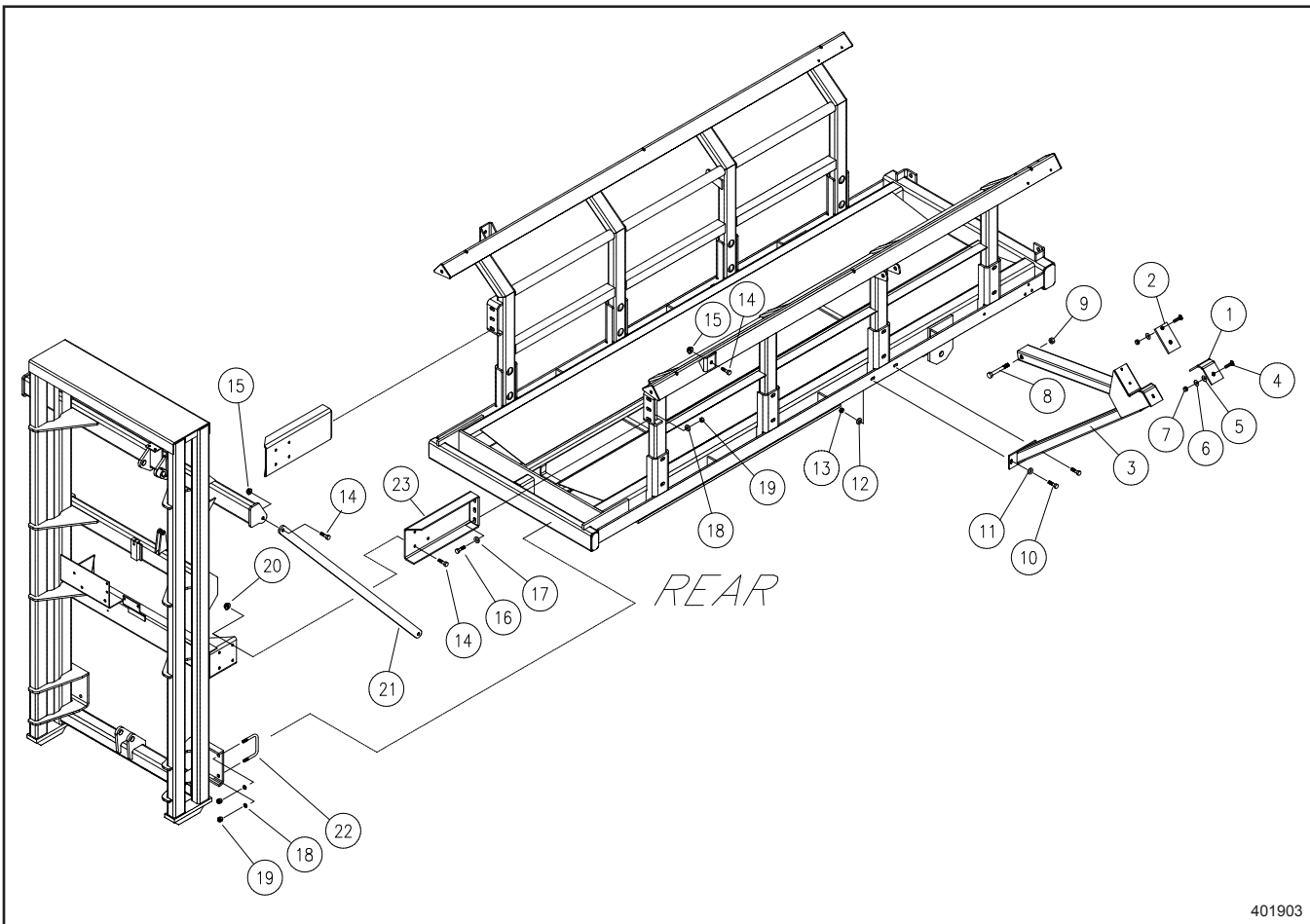


WING TILT - OPTIONAL

ITEM	DESCRIPTION	PART NO.	QTY	NOTES
1	RH Needle Weldment	402360B	1	
	LH Needle Weldment	402361B	1	
2	Level Indicator Plate 6 1/2 x 20 5/32	401329B	2	
6	Flange Nut 1/4-20UNC	9004720	8	Stainless Steel
7	Flat Washer 3/8	900902-038	2	Stainless Steel
8	Capscrew 3/8-16UNC x 1 1/2	900900-057	2	Stainless Steel
9	Lock Washer 3/8	900903-021	2	Stainless Steel
10	Hex Nut 3/8-16UNC	900901-006	2	Stainless Steel
11	RH Indicator Decal	9003807	1	
	LH Indicator Decal	9003808	1	
12	Hydraulic Cylinder 2 x 10 (3000 PSI)	95610	2	
13	Spring Trunnion Weldment	402703B	2	
14	Flat Washer 1"	900902-058	14	Stainless Steel
15	Cylinder Pin Weldment	402708	2	
16	Roll Pin 1/4" Dia. x 2" Long	900909-140	6	Stainless Steel
17	Slide Rod Weldment w/5/8-11UNC Thread End	402179	2	
18	Spacer Bushing 1" O.D. x 1 11/16" Long	402251	2	
19	Capscrew 5/8-11UNC x 3	900900-128	2	Stainless Steel
20	Lock Washer 5/8	900903-029	4	Stainless Steel
21	Flat Washer 5/8	900902-049	4	Stainless Steel
22	Locknut 5/8-11UNC	9003398	2	Grade 5
23	Spring Plate	402185	2	
24	Rubber Spring	9004056	2	
25	Nylon Shoulder Washer 0.880 O.D.	9004055	2	
26	Spacer Bushing 1" O.D. x 11/16" Long	402186	2	
27	Capscrew 5/8-11UNC x 1 3/4	900900-123	2	Stainless Steel
28	Cylinder Pin 1" Dia. x 4 5/8" Long	807450	2	
29	Flat Washer 5/8	900902-050	2	Stainless Steel
30	U-Bolt 1/4-20UNC x 3 3/4	9004683	4	Stainless Steel

FRAME, GLIDER, WING RESTS (1100 ONLY)

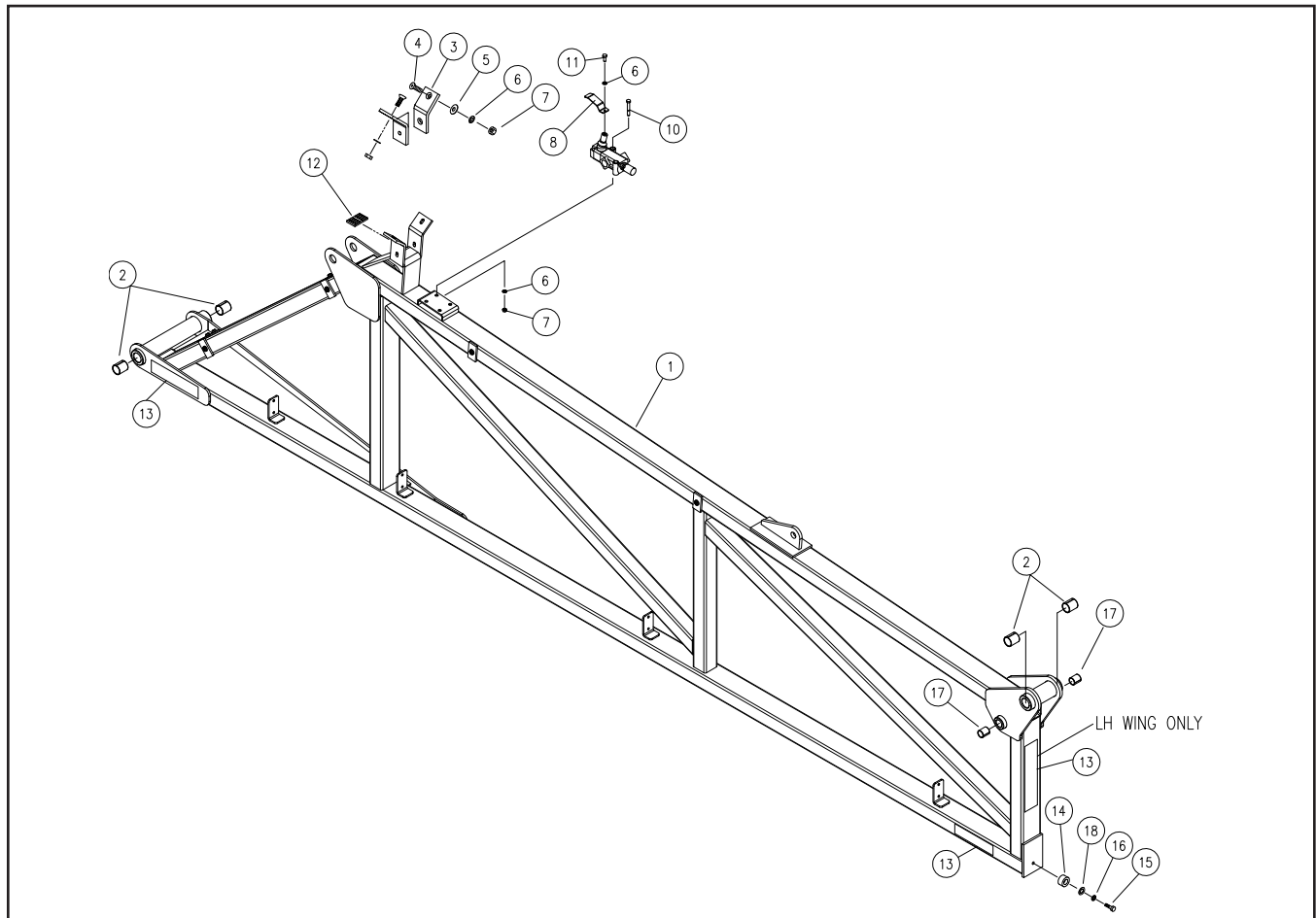
ITEM	DESCRIPTION	PART NO.	QTY	NOTES
1	Wing Rest Pad 3 x 7 21/32	402243	2	
2	Wing Rest Pad 3 x 5 7/32	402242	2	
3	Wing Rest Weldment	402232B	2	
4	Flat Head Screw 5/16-18UNC x 1 Slotted Machine Screw	9400-101	16	
5	Flat Washer 5/16	9405-070	4	
6	Lock Washer 5/16	9404-019	16	
7	Hex Nut 5/16-18UNC	9394-004	16	Grade 5
8	Capscrew 5/8-11UNC x 4 1/2	9390-133	4	Grade 5
9	Hex Nut 5/8-11UNC	9394-014	4	
10	Capscrew 3/8-16UNC x 1 1/4	9390-056	4	Grade 5
11	Flat Washer 3/8	9405-076	4	
12	Lock Washer 3/8	9404-021	4	
13	Hex Nut 3/8-16UNC	9394-006	4	Grade 5
14	Capscrew 1/2-13UNC x 1 1/2	9390-101	12	Grade 5
15	Locknut 5/8-11UNC	95905	12	
16	Capscrew 1/2-13UNC x 1 3/4	9390-102	6	Grade 5
17	Flat Washer 1/2	9405-088	6	
18	Lock Washer 1/2	9404-025	14	
19	Hex Nut 1/2-13UNC	9394-010	14	Grade 5
20	Locknut 1/2-13UNC	9003397	8	Grade 5
21	Frame Support Strap	401531B	2	
22	U-Bolt 1/2-13UNC	TA510000	4	Grade 5
23	Glider Mounting Leg	401513B	2	



401903

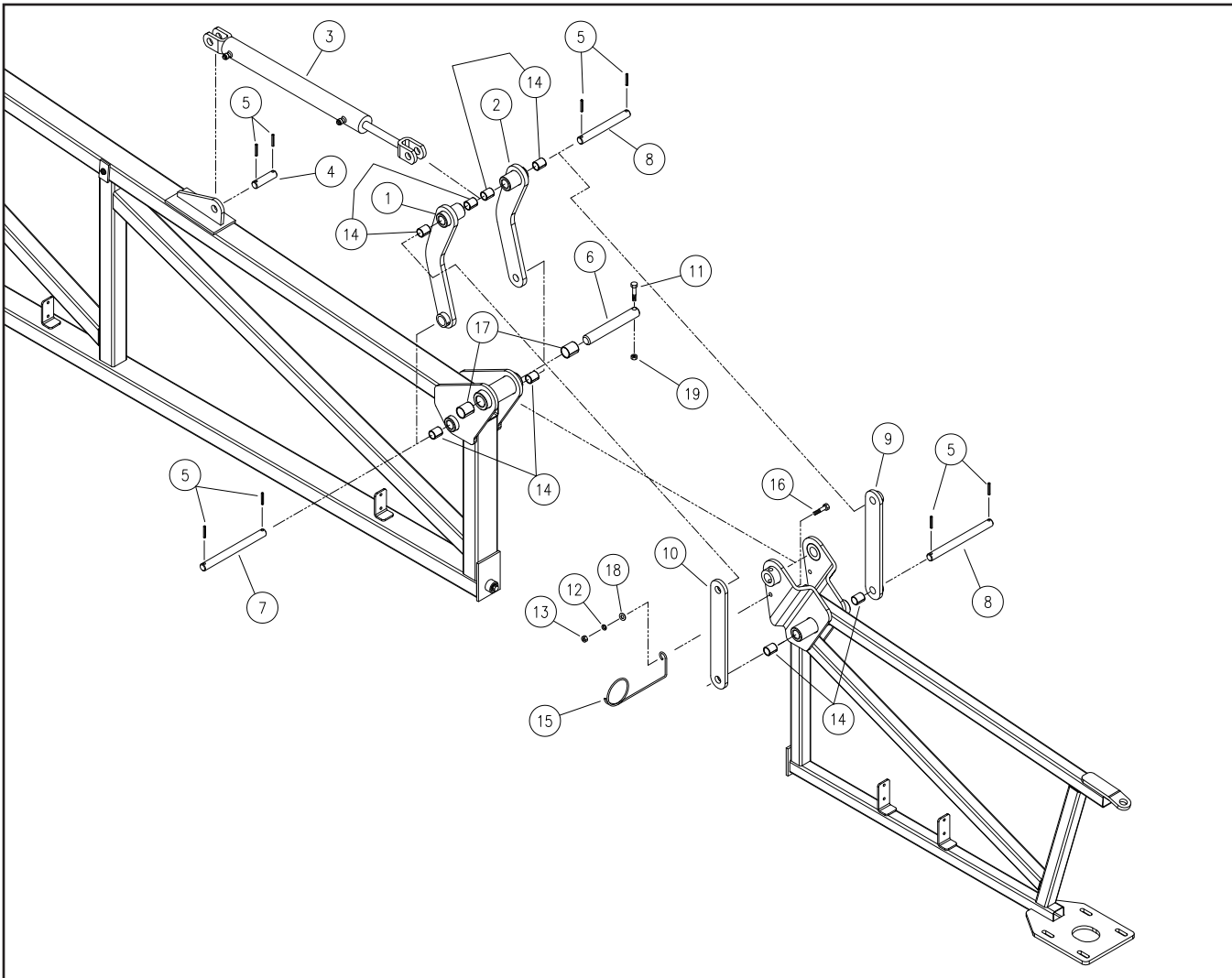
MAIN WINGS

ITEM	DESCRIPTION	PART NO.	QTY	NOTES
1	RH Main Wing Weldment Replacement Kit	404793	1	Includes Wing & Items 2 & 17
	LH Main Wing Weldment Replacement Kit	404794	1	
2	Self-Lubricating Bushing 1.13" O.D. x 1 1/4" Long	9003440	8	
3	Poly Wing Rest Pad 2 x 4 7/16	401452	4	
4	Flat Head Screw 5/16-18UNC x 1 1/4 Slotted Machine Screw	900907-874	8	Stainless Steel
5	Flat Washer 5/16	900902-035	8	Stainless Steel
6	Lock Washer 5/16	900903-019	12	Stainless Steel
7	Hex Nut 5/16-18UNC	900901-004	12	Stainless Steel
8	Push Plate 1 1/2 x 5 7/16	402369B	1	
9	Hydraulic Valve	9004057B	1	
10	Capscrew 5/16-18UNC x 2 1/4	900900-035	2	Stainless Steel
11	Capscrew M8-1.25P x 20	94917-070	1	
12	Wing Rest Pad 1 1/4 x 2	401781	2	
13	Reflector =Amber= (2 x 9)	9003127	5	
14	Rubber Bumper 2 1/2" Dia. x 1	9004389	2	
15	Capscrew 3/8-16UNC x 1 1/4	900900-056	2	Stainless Steel
16	Lock Washer 3/8	900903-021	2	Stainless Steel
17	Self-Lubricating Bushing 0.882 O.D. x 1	9003752	4	
18	Flat Washer 3/8	900902-038	2	Stainless Steel



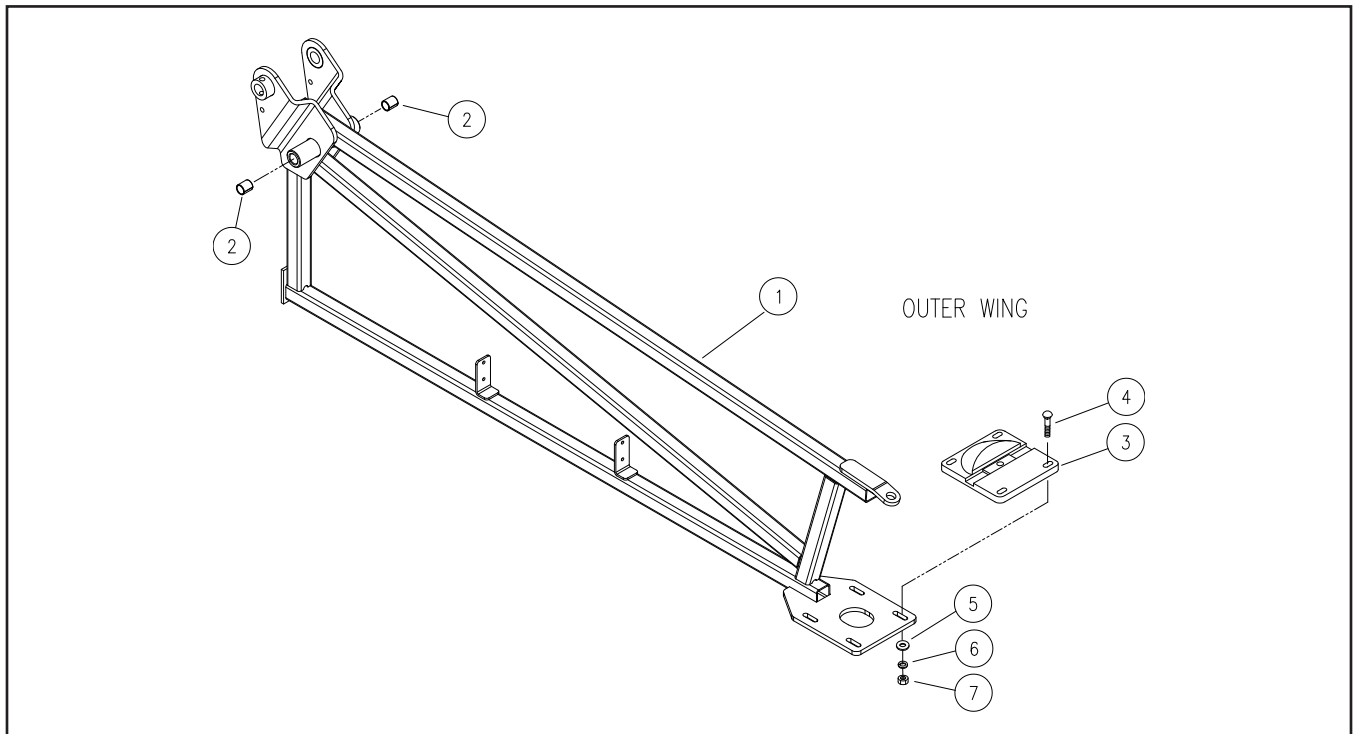
OUTER WING FOLD LINKAGE

ITEM	DESCRIPTION	PART NO.	QTY	NOTES
1	RH Fold Link Weldment	401700B	2	
2	LH Fold Link Weldment	401701B	2	
3	Hydraulic Cylinder 2 x 16	9004383	2	
4	Cylinder Pin 3/4" Dia. x 2 15/16" Long	403573	2	
5	Roll Pin 1/4" Dia. x 1 1/2" Long	900909-136	16	Stainless Steel
6	Hinge Pin 1" Dia. x 7 1/16" Long	401473	2	
7	Linkage Pin 3/4" Dia. x 6 11/16" Long	401474	2	
8	Linkage Pin 3/4" Dia. x 8 1/2" Long	401475	4	
9	Fold Link Weldment	401704B	2	
10	Fold Link Plate	401706B	2	
11	Capscrew 3/8-16UNC x 2 1/4	900900-060	2	Stainless Steel
12	Lock Washer 3/8	900903-021	2	Stainless Steel
13	Hex Nut 3/8-16UNC	900901-006	2	Stainless Steel
14	Self-Lubricating Bushing 0.882 O.D. x 1" Long	9003752	16	
15	Hose Holder	9005689	2	
16	Carriage Bolt 3/8-16UNC x 1 1/4 (Ribbed Neck)	9004512	2	Grade 5
17	Self-Lubricating Bushing 1.13 O.D. x 1 1/4" Long	9003440	4	
18	Flat Washer 3/8	900902-038	2	Stainless Steel
19	Locknut 3/8-16UNC	900906-006	2	Stainless Steel



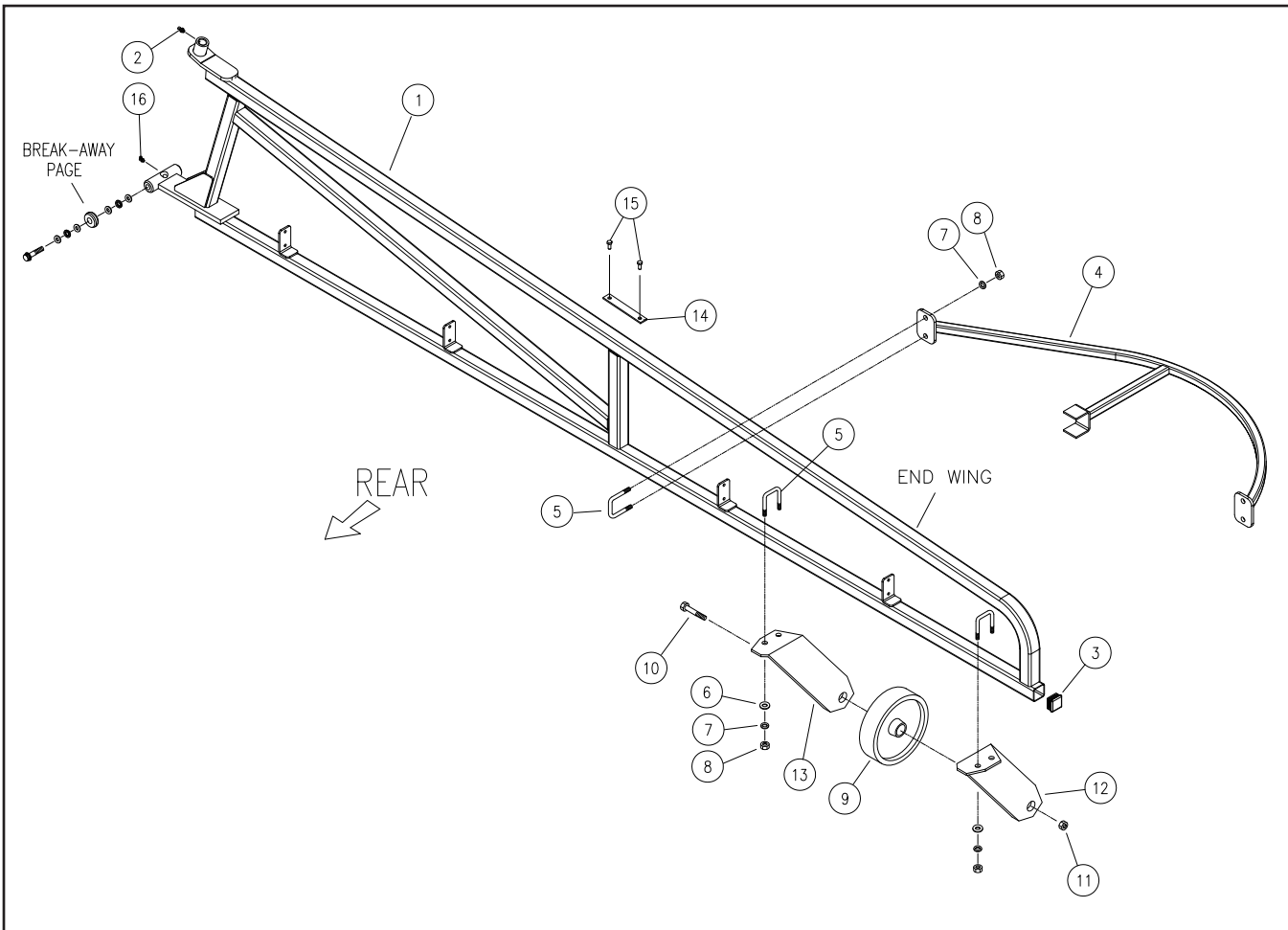
OUTER WINGS

ITEM	DESCRIPTION	PART NO.	QTY	NOTES
1	Outer Wing Weldment Replacement Kit	404749	2	Includes Wing & Item 2
2	Self-Lubricating Bushing 0.882 O.D. x 1" Long	9003752	4	
3	Break-Away Casting	404606B	2	
4	Capscrew 1/2-13UNC x 1 3/4	900900-102	8	Stainless Steel
5	Flat Washer 1/2	900902-044	8	Stainless Steel
6	Lock Washer 1/2	900903-025	8	Stainless Steel
7	Hex Nut 1/2-13UNC	900901-010	8	Stainless Steel



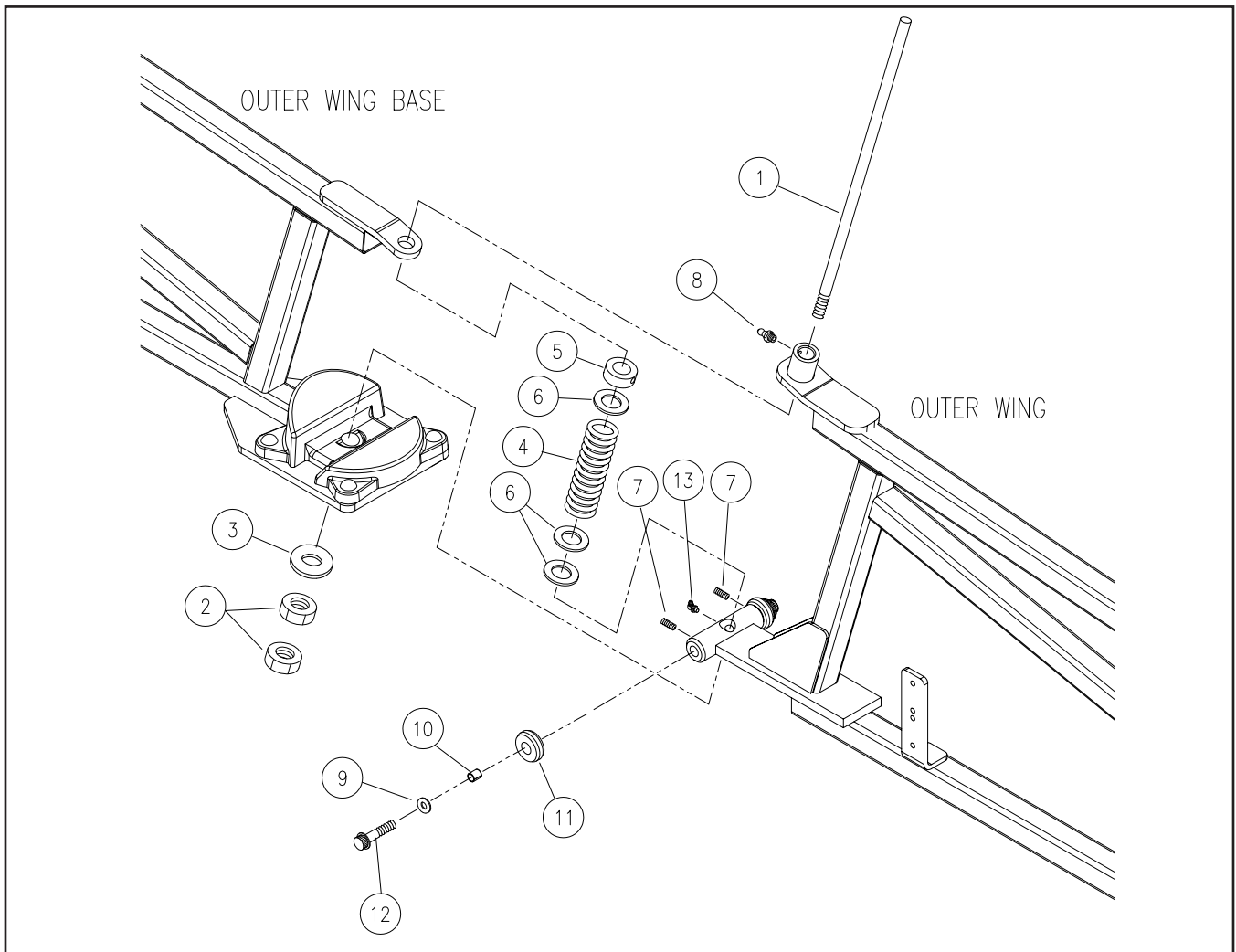
OUTER WINGS

ITEM	DESCRIPTION	PART NO.	QTY	NOTES
1	Outer Wing Weldment	402404B	2	
2	Grease Fitting/Zerk	91160	2	
3	Plastic Square Plug 1 1/2	9001645	2	
4	Guard Weldment	402356B	2	
5	U-Bolt 3/8-16UNC	9004685	8	Stainless Steel
6	Flat Washer 3/8	900902-038	4	Stainless Steel
7	Lock Washer 3/8	900903-021	16	Stainless Steel
8	Hex Nut 3/8-16UNC	900901-006	16	Stainless Steel
9	Skid Wheel	TA510232	2	
10	Capscrew 3/4-10UNC x 3 3/4	900900-152	2	Stainless Steel
11	Hex Jam Nut 3/4-10UNC	900911-016	2	Stainless Steel
12	RH Mount	TA522038B	2	
13	LH Mount	TA522122B	2	
14	Poly Strike Pad 1 1/2 x 3 1/2	402727	1	
15	Flat Head Self Tapping Screw #10 x 1/2	9004058	2	
16	Grease Zerk 90° Elbow	93415	2	



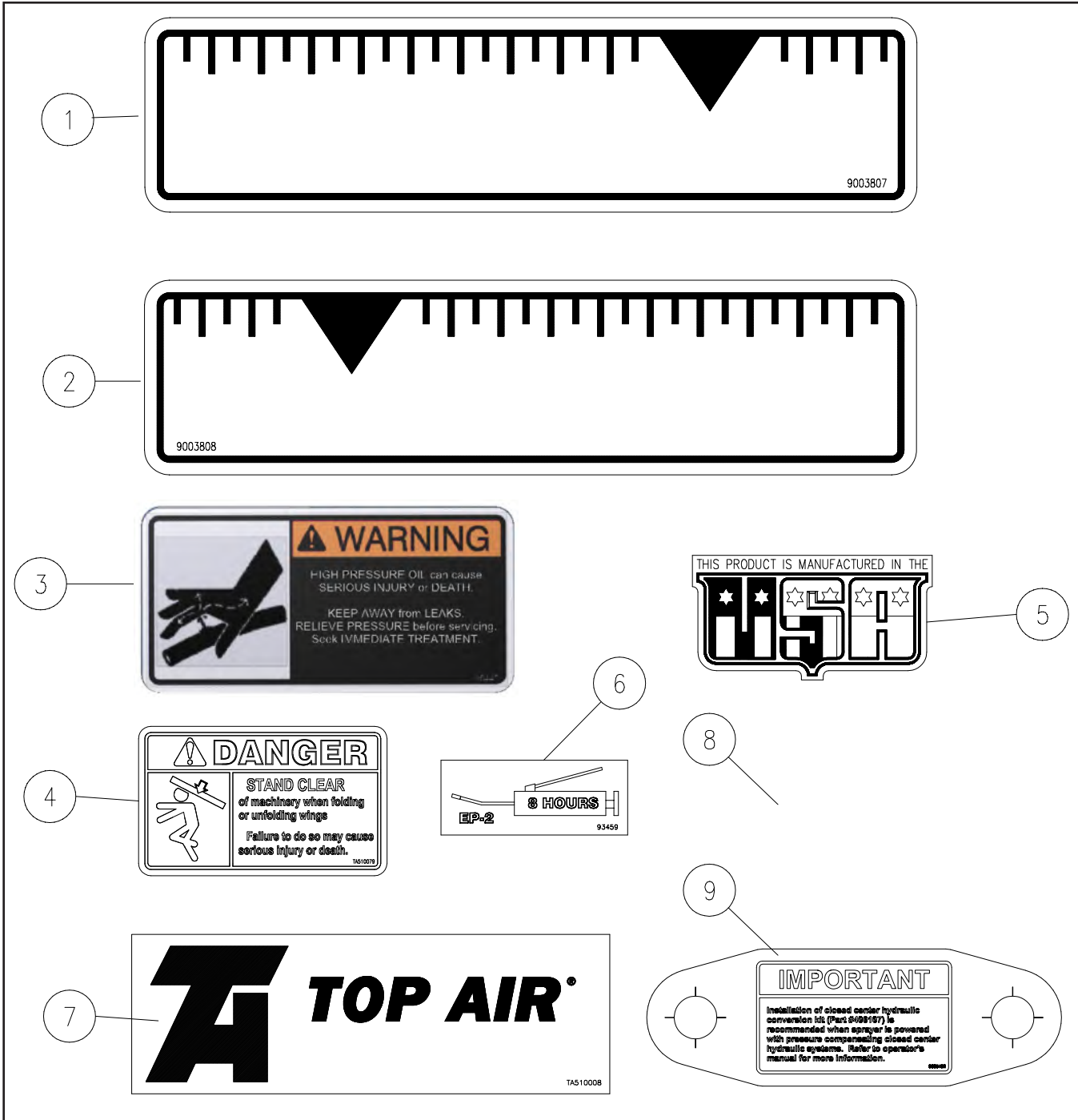
OUTER BOOM BREAK-AWAY

ITEM	DESCRIPTION	PART NO.	QTY	NOTES
1	Break Away Shaft 3/4" Dia. x 24 3/4	401725	2	
2	Hex Jam Nut 3/4-10UNC	900911-016	4	Stainless Steel
3	Machinery Bushing 1 1/4" O.D. x 3/4" I.D.	TA500309	2	
4	Break Away Spring 1.875" O.D. x 7 1/2" Long	TA510013	2	
5	Shaft Collar 1 1/4" O.D. x 3/4" I.D.	TA500689	2	
6	Flat Washer 3/4	900902-053	6	Stainless Steel
7	Set Screw 1/4-20UNC x 1/2 Cup Point/Hex Socket	9399-060	4	
8	Zerk 1/4-28	91160	2	
9	Flat Washer, 5/8"	900902-049	4	
10	Roller Bushing 7/8" OD x 9/16" ID x 13/16	406288	4	
11	Roller 2 1/4" O.D.	406287	4	
12	Capscrew 5/8-11UNC x 1 3/4	900900-123	4	Stainless Steel
13	Grease Zerk 90° Elbow	93415	2	



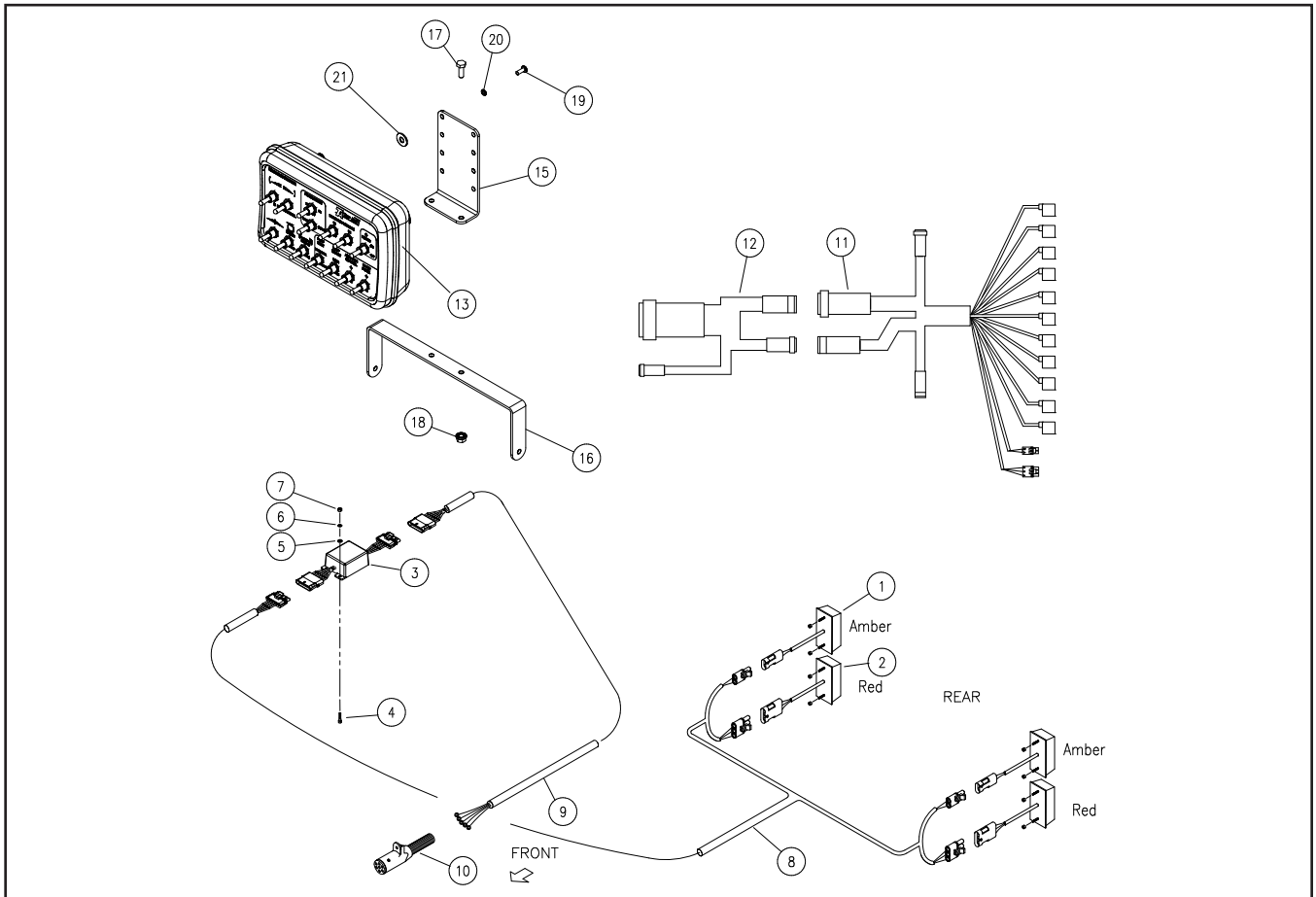
DECALS

ITEM	DESCRIPTION	PART NO.	QTY.	NOTES
1	Indicator Decal	9003807	1	Used on RH Side
2	Indicator Decal	9003808	1	Used on LH Side
3	Decal, Hydraulic Warning	95445	1	
4	Decal, Danger - Stand Clear	TA510079	2	
5	Decal, USA	TA510031	1	
6	Decal, 8-Hours Grease	93459	5	
7	Decal, Logo	TA510008	1	
8	Decal, Flo-Bak	9004820	1	Option
9	Decal, Important	9005492	1	



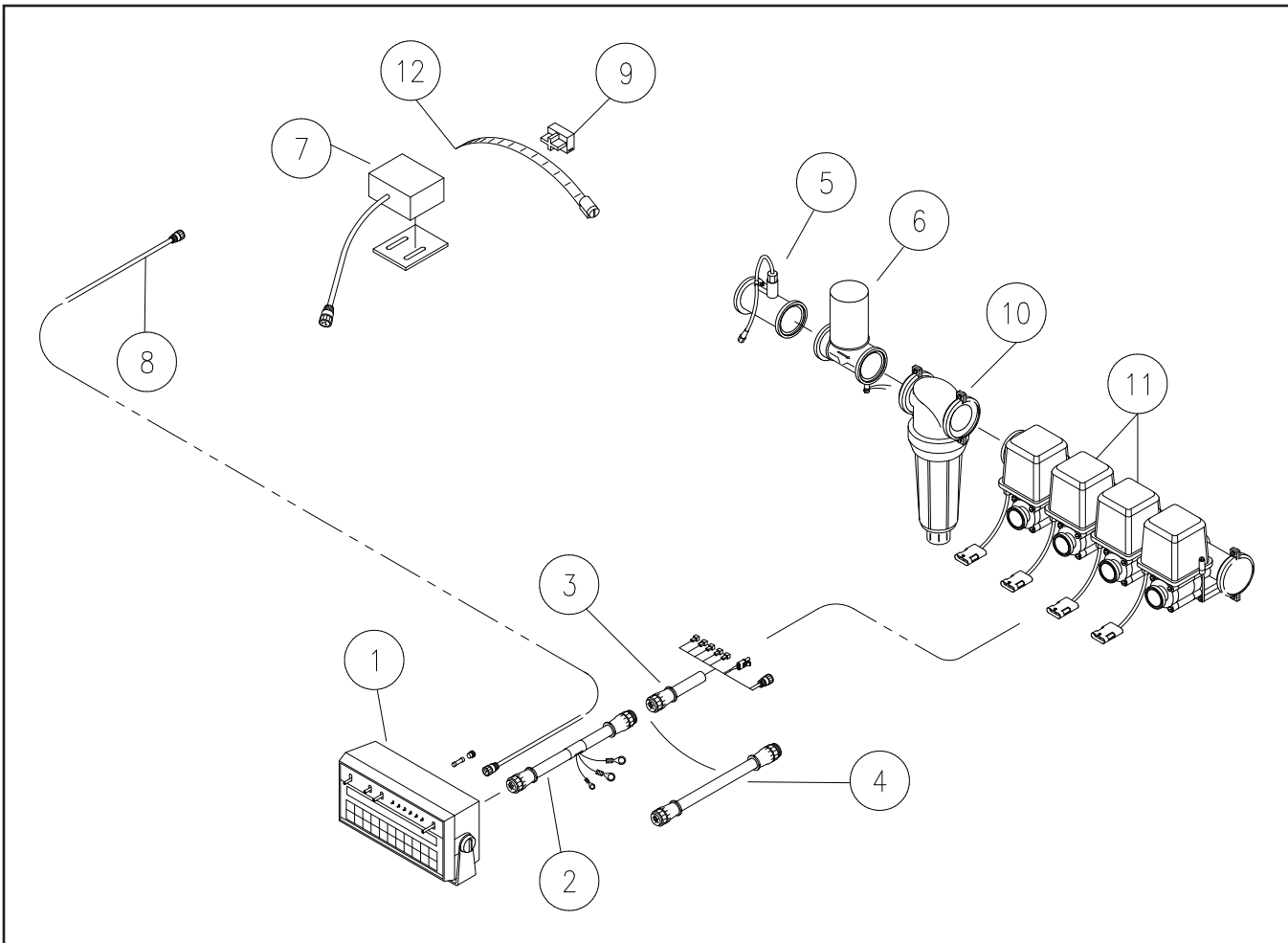
ELECTRICAL - BOOM

ITEM	DESCRIPTION	PART NO.	QTY	NOTES
1	Light, Amber	9003135	2	
2	Light, Red	9003136	2	
3	Enhanced Ag Module - 6 Pin Connector	9003631	1	Optional
4	Pan Head #6-32UNC x 3/4 Slotted Machine Screw	9401-010	3	
5	Flat Washer #6	9405-040	3	
6	Lock Washer #6	9404-009	3	
7	Hex Nut #6-32UNC	9830-013	3	
8	Harness-Rear Wiring 305"	9003802	1	
9	Harness-Front Wiring 312"	9003277	1	
10	Plug - 7 Way Single Grip w/Spring Guard	92450	1	
11	Harness-Main Wiring	9003984	1	Model 1100 Only
		9005486		Model 112 Only
12	Harness Power 120"	9003985	1	Model 1100 Only
		9005487		Model 112 Only
13	Sprayer Switch Box	9005525	1	
14	Cable Tie 6"	9000106	A/R	
15	Control Box Bracket	407464B	1	
16	Control Box Bracket	407465B	1	
17	Capscrew 1/4-20UNC x 3/4	9390-003	2	
18	Serrated Flange Nut 1/4-20UNC	97189	2	
19	Pan Head Screw #10-32 x 1/2	9401-067	4	
20	Lock Washer #10	9404-013	4	
21	Flat Washer 1/4"	9405-064	4	



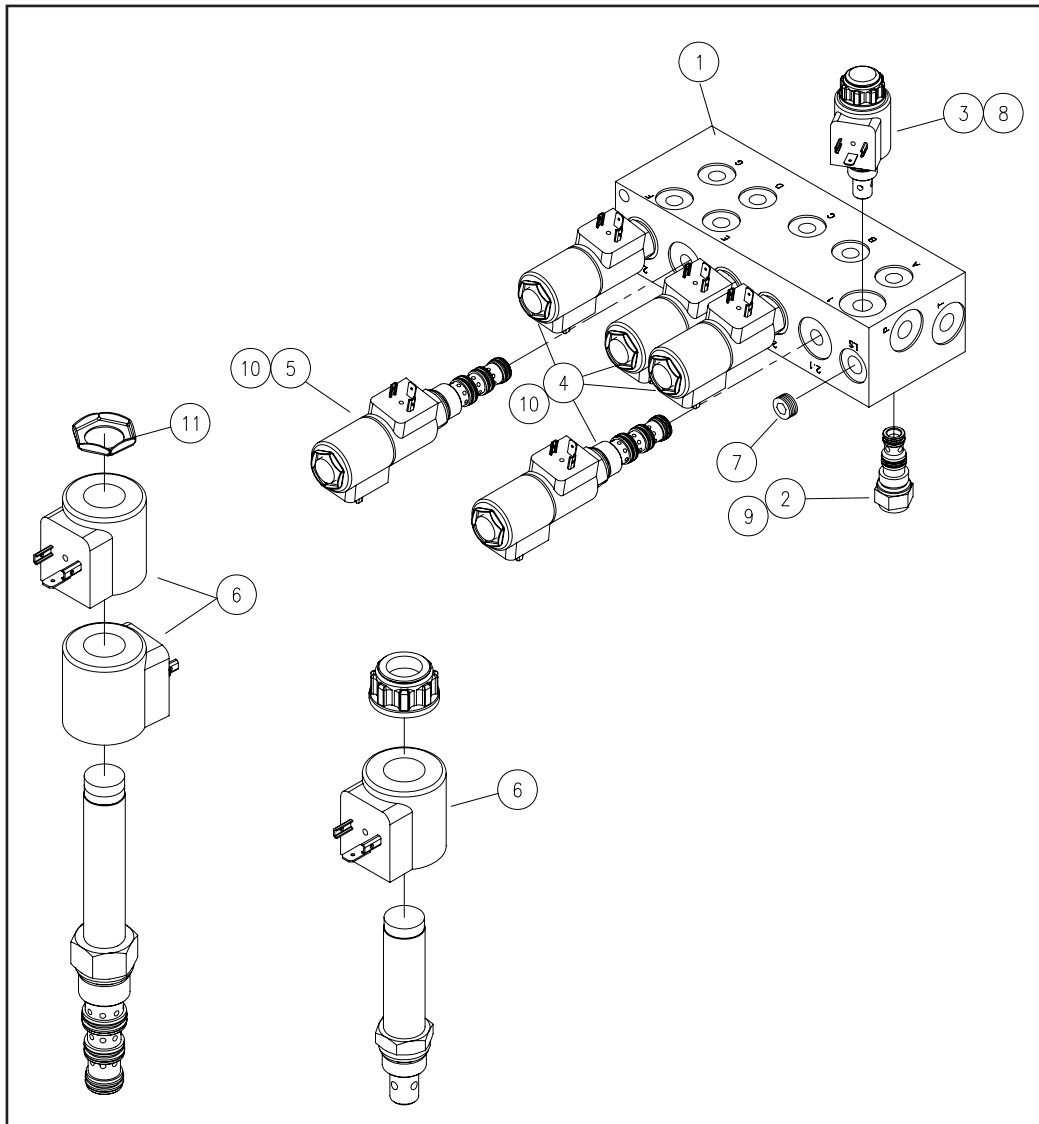
ELECTRICAL - SPRAY

ITEM	DESCRIPTION	PART NO.				QTY
		Raven 440	RAven 450	Tee Jet 744	Tee Jet 745	
	Controller Kit	402779	402782	402780	402783	-
1	Console	TA720314	TA720315	TA891010	TA891040	1
2	Console Cable - 10'	TA720563	TA720574	-	-	1
3	Flow Control Cable - 6'	9005353	TA720559	-	-	1
4	Extension Cable - 30'		9003861	-	-	1
5	Flowmeter - RFM 60P	TA720365	TA720365	-	-	1
6	Regulating Valve, 1 1/2" Flanged	TA720260	TA720260	-	-	1
7	Speed Sensor w/36' Cable	TA721405	TA721405	-	-	1
8	Speed Sensor Cable - 10'	TA720553	TA720553	-	-	1
9	Magnet, Red	TA720392	TA720392	-	-	2
	Magnet, Black	TA720393	TA720393	-	-	2
10	Strainer - 2" Flanged	TA855650	TA855650	TA855650	TA855650	1
11	Ball Valve	TA854842	TA854843	TA854842	TA854843	1
12	Hose Clamp (Not Shown)	TA800902	TA800902	-	-	4



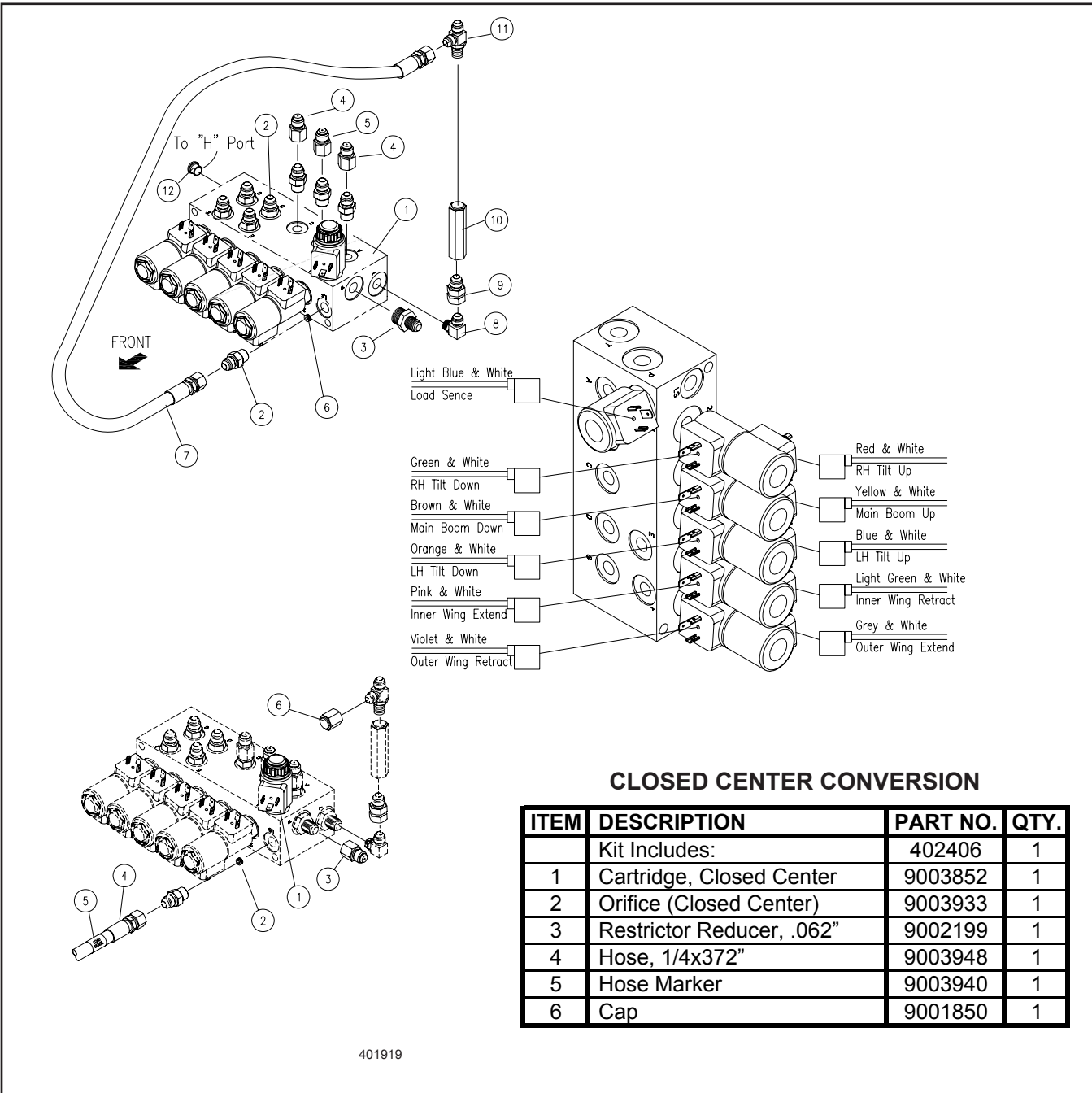
HYDRAULIC SELECTOR VALVE (TILT OPTION)

ITEM	DESCRIPTION	PART NO.	QTY	NOTES
	Hydraulic Valve Complete	9003797	1	Includes Items 1 through 6
1	Manifold Block, Aluminum	9003851	1	
2	Check Valve, Pilot Operated	9003856	6	
3	Cartridge, 2 Position (Open Center)	9003857	1	
	Cartridge, 2 Position (Closed Center)	9003852	0	Option
4	Cartridge Valve, 3 Position	9003854	4	
5	Cartridge Valve, 3 Position (Special)	9003855	1	
6	Coil, 12 Volt	9003853	11	
7	Plug	9004326	1	Standard
	Orifice (Closed Center)	9003933		Option
8	Seal Kit For 2 Position Cartridge Valve	9003904	-	For Item #3
9	Seal Kit For Check Valve	9003905	-	For Item #2
10	Seal Kit For 3 Position Cartridge Valve	9003906	-	For Items #4 & 5
11	Coil Nut w/O-Ring Groove	9004760	5	



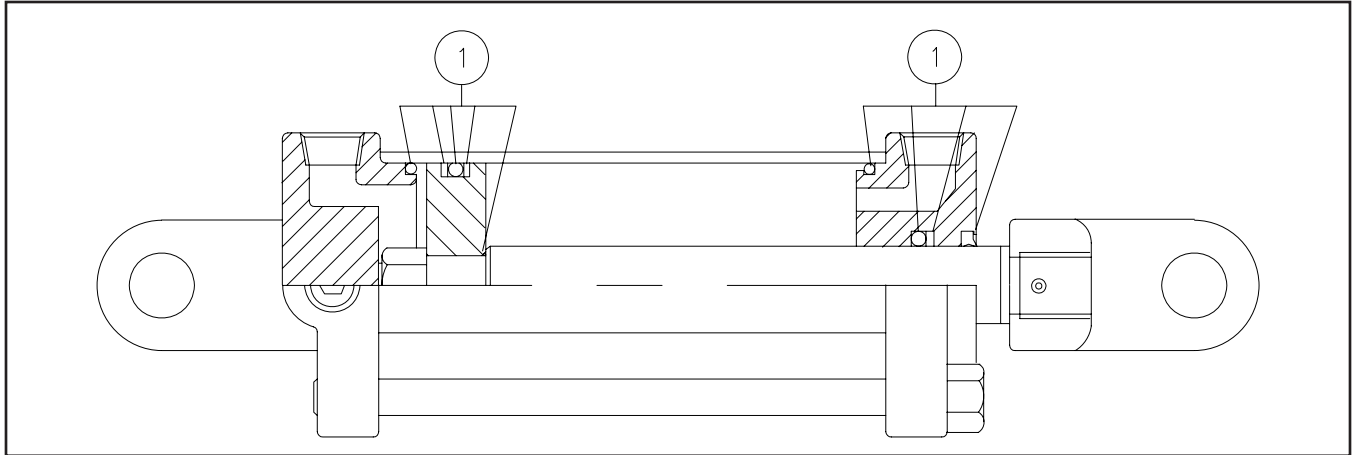
HYDRAULIC VALVE FITTINGS

ITEM	DESCRIPTION	PART NO.	QTY.	NOTES
1	Hydraulic Valve, Complete	9003797	1	Page 25
2	Adapter	9001495	8	9/16-18 JICM - ORM
3	Adapter	92927	1	9/16-18 JICM - 3/4-16 ORM
4	Reducer Restrictor, .030"	95193	2	9/16-18 JICM - F
5	Reducer Restrictor, .062"	9002199	1	9/16-18 JICM - F
6	Plug	9004326	1	1/16-27 NPT
7	Hose	93472	1	9/16-18 JIC SWIVEL - F
8	Elbow, 90°	9874	1	9/16-18 JIC
9	Adapter	9002446	1	9/16-18 O-R - M
10	Check Valve	9004059	1	
11	Tee	9004064	1	9/16-18 - M
12	Plug	9003423	1	



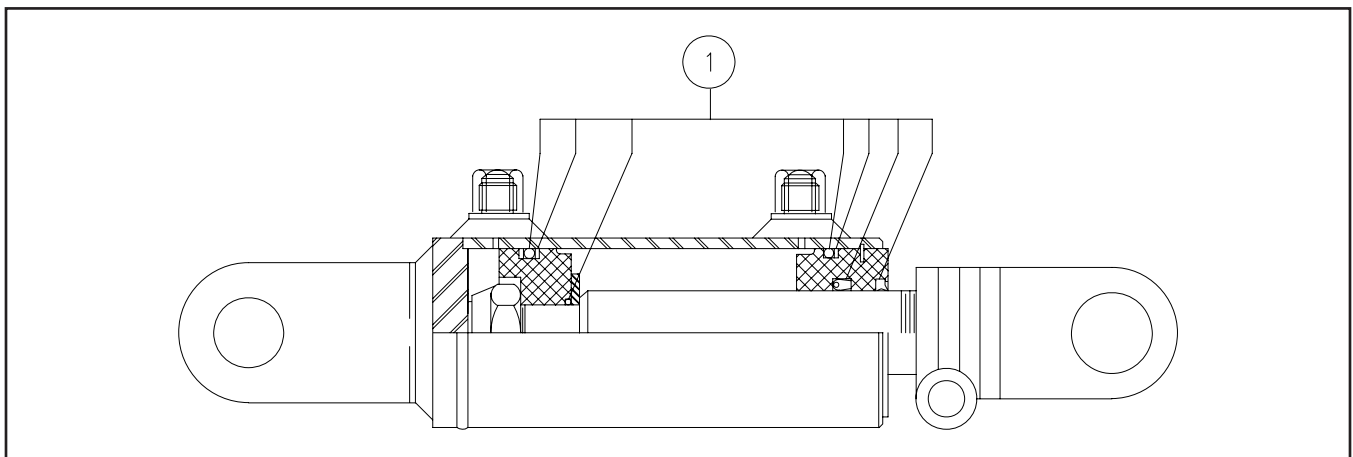
HYDRAULIC CYLINDERS - TIE ROD

ITEM	DESCRIPTION	PART NO.	QTY	NOTES
1	Hydraulic Cylinder - 2 1/2 x 30"	9003755	1	Boom Lift - Model 1100 Only
	Seal Kit	95388	-	
1	Hydraulic Cylinder - 2 x 24"	9003680	2	Boom Lift - Model 112 Only
	Seal Kit	9003105	-	
1	Hydraulic Cylinder - 2 x 14"	9003959	2	Main Wing Fold
	Seal Kit	9003105	-	
1	Hydraulic Cylinder - 2 x 10"	95610	2	Tilt
	Seal Kit	9003105	-	



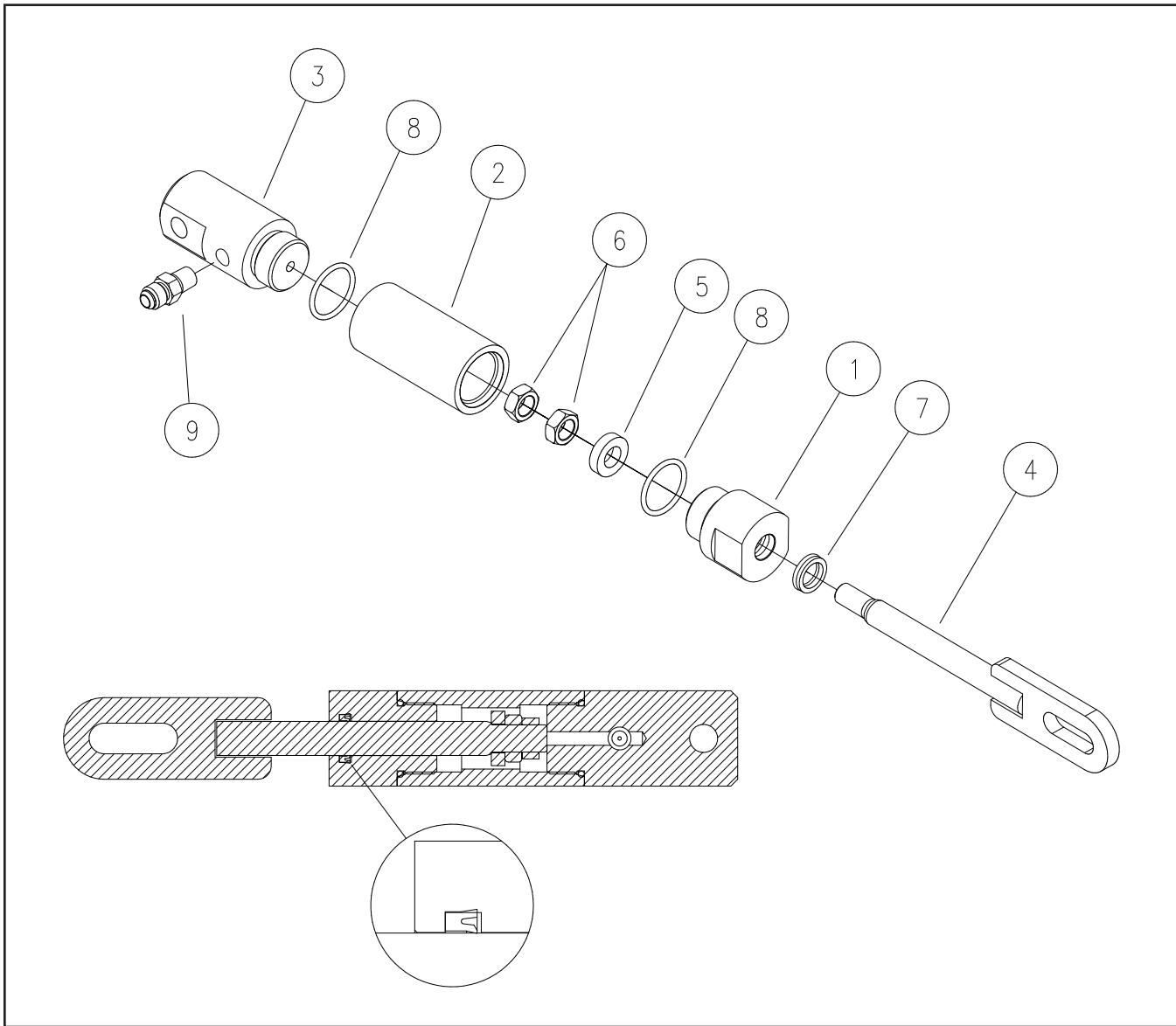
HYDRAULIC CYLINDERS - WELDED

ITEM	DESCRIPTION	PART NO.	QTY	NOTES
1	Hydraulic Cylinder - 2 x 16"	9004383	2	Outer Wing Fold
	Seal Kit	9004384	-	



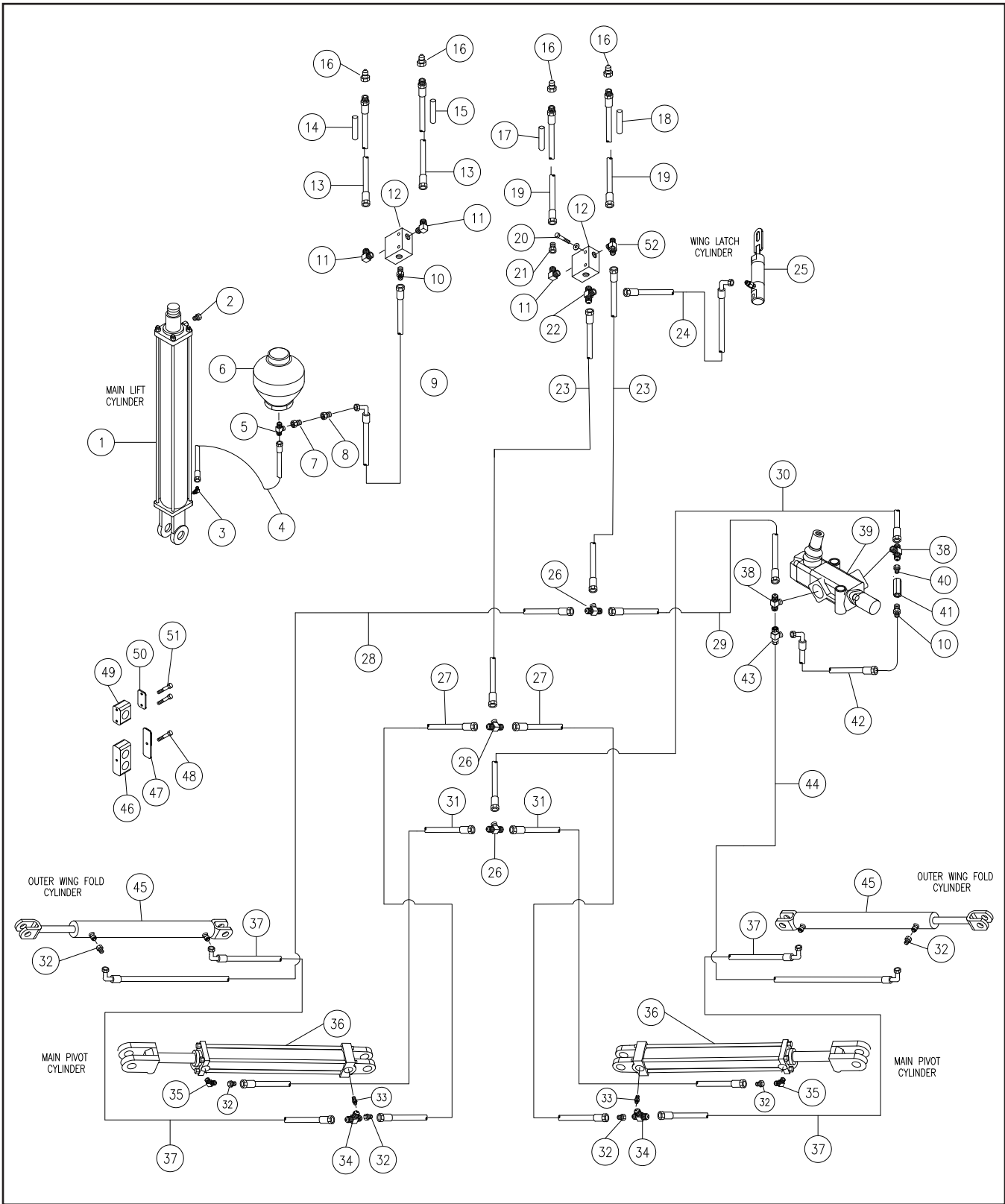
LATCHING RAM - MODEL 1100 ONLY

ITEM	DESCRIPTION	PART NO.	QTY	NOTES
	Latching Ram Assembly	400200	1	Includes Items 1-9
1	Plug, Ram	400208	1	
2	Tube, Ram	400202	1	
3	Plug, Ram	400237	1	
4	Ram Rod Weldment	400204	1	
5	Washer	400209	1	
6	Jam Nut 1/2-13UNC	9395-010	2	
7	U-Cup Seal, 29/32" OD x 5/8" ID x 3/16	9003654	1	
8	O-Ring - 16 Nitrile	9003556	2	
9	Adapter 9/16-18 JIC Male x 1/4-18 NPTF Male	9001418	1	



NOTES

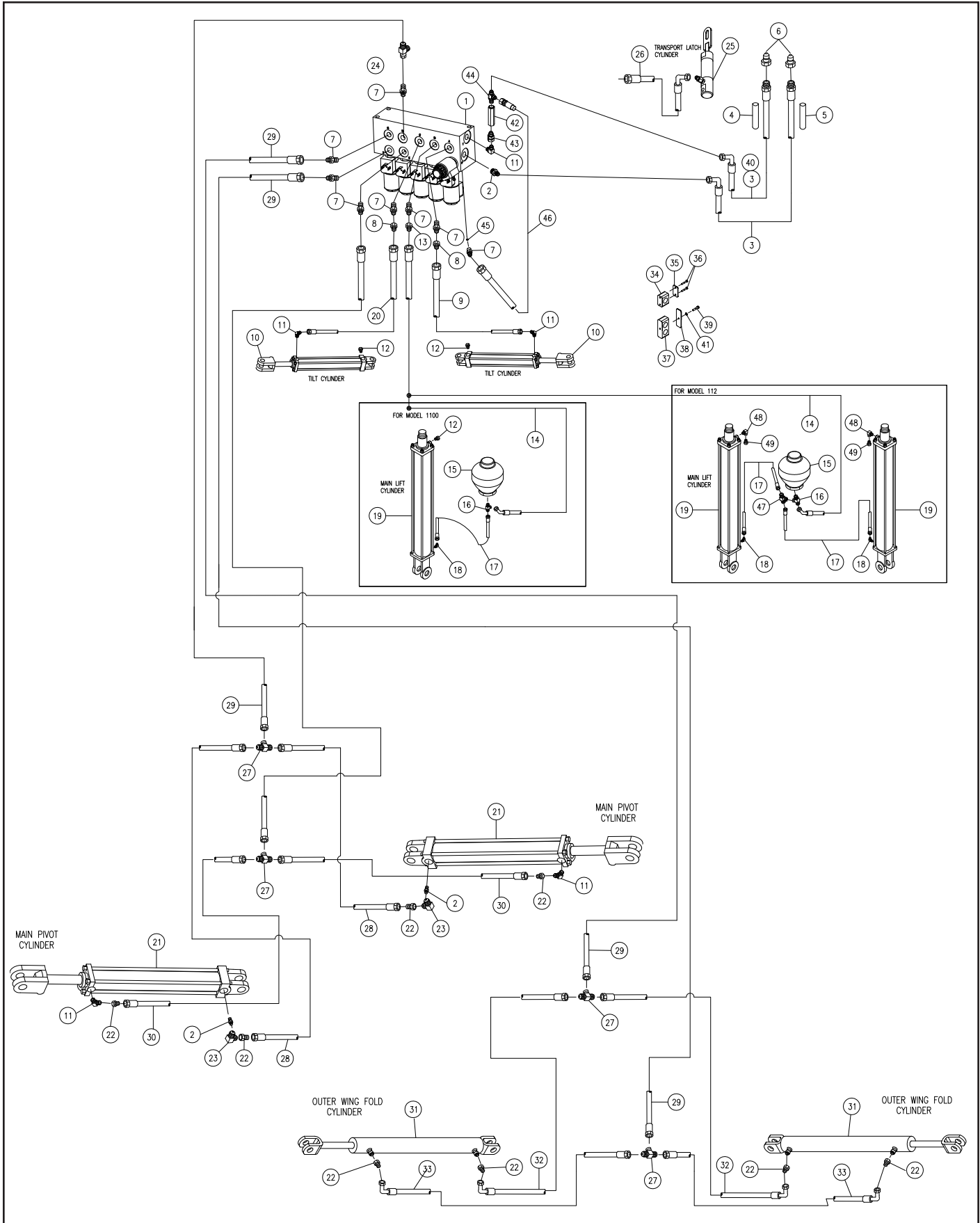
HYDRAULIC SYSTEM - MODEL 1100 ONLY



HYDRAULIC SYSTEM - MODEL 1100 ONLY

ITEM	DESCRIPTION	PART NO.	QTY	NOTES
1	Cylinder, Tie Rod 2 1/2 x 30	9003755	1	
2	Breather Plug, 3/4-16	9003825	1	
3	90° Elbow 3/4-16 JIC Male x 3/4-16 O-Ring Male	9863	1	
4	Hose 1/2 x 25 (3/4-16 JIC Female Both Ends)	9001104	1	3000PSI
5	Tee 3/4-16 JIC Male x 3/4-16 O-Ring Male x 3/4-16 JIC Male	93588	1	
6	Accumulator 6" Dia. (400PSI)	9003796	1	
7	Tube Reducer 3/4-16 JIC Female x 9/16-18 JIC Male	9003065	1	
8	Reducer 9/16-18 JIC Female x 9/16-18 JIC Male w/.062 Restrictor	9002199	1	
9	Hose 3/8 x 265 (9/16-18 JIC Female x 90° 9/16-18 JIC Female)	9003992	1	3000PSI
10	Adapter 9/16-18 JIC Male x 9/16-18 O-Ring Male	9001495	2	
11	90° Elbow 9/16-18 JIC Male x 9/16-18 O-Ring Male	97445	3	
12	Pilot Operated Check Valve Block	9003990	2	
13	Hose 3/8 x 18 (9/16-18 JIC Female x 3/4-16 O-Ring Male)	9003991	2	3000PSI
14	Hose Marker Sleeve - Raise Boom	9004067	1	
15	Hose Marker Sleeve - Lower Boom	9004068	1	
16	Male Tip Coupling 3/4-16 O-Ring Female Threaded	91383	4	3000PSI
17	Hose Marker Sleeve - Wing Retract	9004070	1	
18	Hose Marker Sleeve - Wing Extend	9004069	1	
19	Hose 3/8 x 296 (3/4-16 O-Ring Male x 9/16-18 JIC Female)	9004066	2	3000PSI
20	Capscrew 5/16-18UNC x 2	9390-034	2	Grade 5
	Lock Washer 5/16	9404-019	2	
	Hex Nut 5/16-18UNC	9394-004	2	Grade 5
21	Reducer 9/16-18 JIC Female x 9/16-18 JIC Male w/.045 Restrictor	9003303	1	
22	Tee 9/16-18 O-Ring Male x 9/16-18 JIC Male	9004064	1	
23	Hose 1/4 x 180 (9/16-18 JIC Female Both Ends)	95643	2	3000PSI
24	Hose 1/4 x 24 (9/16-18 JIC Female x 90° 9/16-18 JIC Female)	9004065	1	3000PSI
25	Latching Ram Assembly	400200	1	
26	Tee 9/16-18 JIC Male x 9/16-18 JIC Male x 9/16-18 JIC Male	9875	3	
27	Hose 1/4 x 22 (9/16-18 JIC Female Both Ends)	9003897	1	3000PSI
28	Hose 1/4 x 210 (9/16-18 JIC Female Both Ends)	9001424	1	3000PSI
29	Hose 1/4 x 130 (9/16-18 JIC Female Both Ends)	95638	1	3000PSI
30	Hose 1/4 x 124 (9/16-18 JIC Female Both Ends)	9004062	1	3000PSI
31	Hose 1/4 x 39 1/2 (9/16-18 JIC Female Both Ends)	9003436	2	3000PSI
32	Adapter 9/16-18 JIC Female x 9/16-18 JIC Male w/.030 Restrictor	95193	6	
33	Adapter, 9/16-18 JIC Male x 3/4-16 O-Ring Male	92927	2	
34	Tee 9/16-18 JIC Male x 9/16-18 JIC Male x 9/16-18 JIC Female	91525	2	
35	90° Elbow 9/16-18 JIC Male x 3/4-16 O-Ring Male	9874	2	
36	Cylinder 2 x 14 for Main Wing Fold	9003959	2	3000PSI
37	Hose 1/4 x 158 (9/16-18 JIC Female x 90° 9/16-18 JIC Female)	9003346	2	3000PSI
38	Tee 9/16-18 JIC Male x 9/16-18 JIC Male x 3/4-16 O-Ring Male	9002274	2	
39	Hydraulic Diverter Valve	9004057B	1	
40	Adapter 9/16-18 O-Ring Male x 9/16-18 JIC Female	9002446	1	
41	Check Valve w/ #6 O-Ring Ports	9004059	1	
42	Hose 1/4 x 18 (9/16-18 JIC Female x 90° 9/16-18 JIC Female)	94727	1	3000PSI
43	Tee 9/16-18 JIC Male x 9/16-18 JIC Female x 9/16-18 JIC Male	91465	1	
44	Hose 1/4 x 78 (9/16-18 JIC Female x 90° 9/16-18 JIC Female)	9000925	1	3000PSI
45	Cylinder 2 x 16 for Outer Wing Fold	9004383	2	3000PSI
46	Twin Poly Clamp Pair	9003816	8	
47	Twin Clamp Top Pair	9003814	8	
48	Capscrew 5/16-18UNC x 1 1/2	9390-032	8	Grade 5
49	Single Poly Clamp Pair	9003815	2	
50	Single Clamp Top Plate	9003813	2	
51	Capscrew 1/4-20UNC x 1 1/2	9390-007	4	Grade 5
52	Tee 9/16-18 JIC Male x 9/16-18 JIC Male x 9/16-18 O-Ring Male	9001710	1	

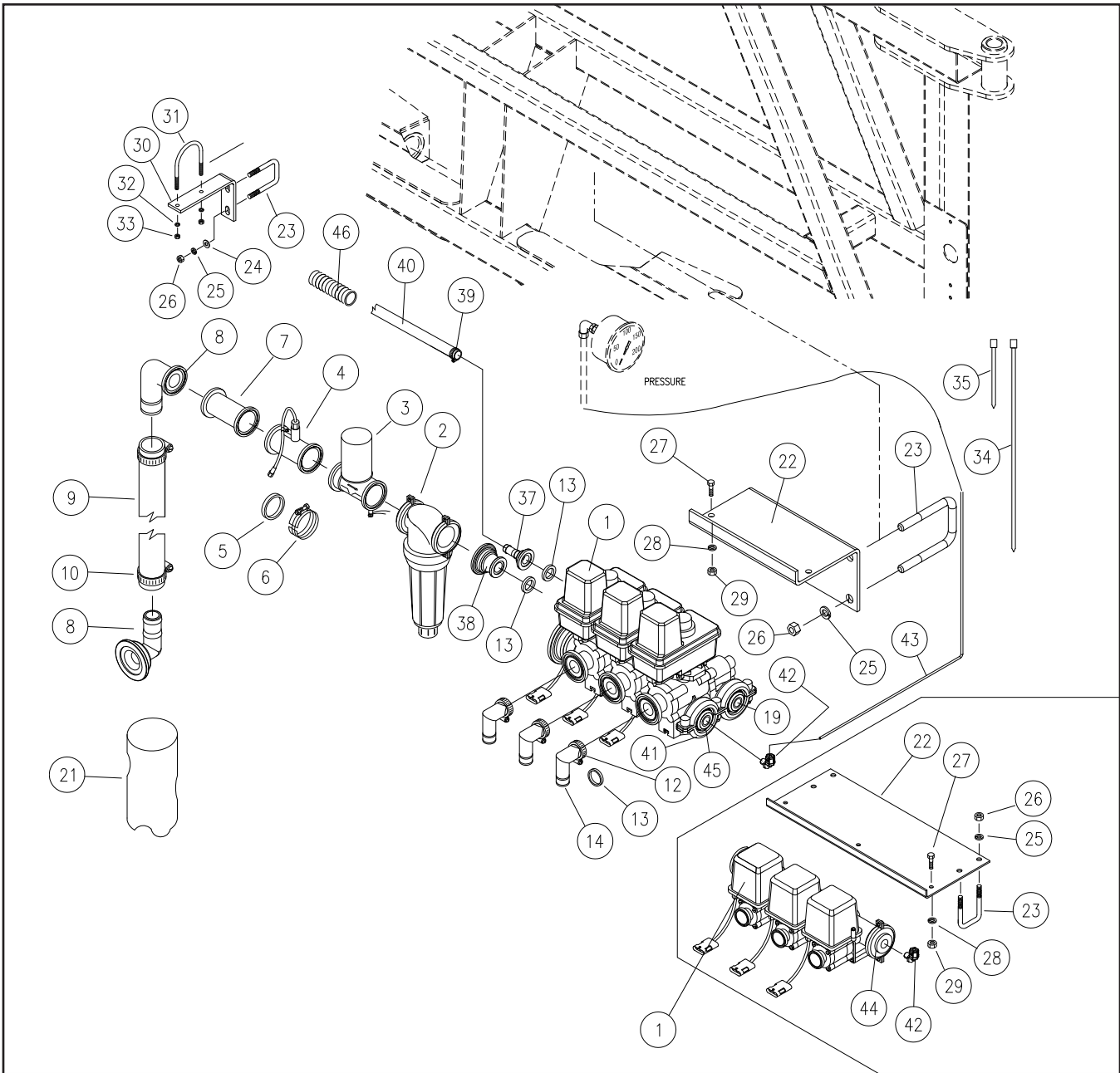
HYDRAULIC SYSTEM WITH TILT MODEL 1100 OPTIONAL & MODEL 112 STANDARD



HYDRAULIC SYSTEM WITH TILT MODEL 1100 OPTIONAL & MODEL 112 STANDARD

ITEM	DESCRIPTION	PART NO.	QTY	NOTES
1	5 Spool Control Valve w/Aluminum Manifold Block	9003797	1	
2	Adapter 9/16-18 JIC Male x 3/4-16 O-Ring Male	92927	3	
3	Hose 3/8 x 288 (90° 9/16-18 JIC Female x 3/4-16 O-Ring Male)	9003801	2	Model 1100
	Hose 3/8 x 392 (90° 9/16-18 JIC Female x 3/4-16 O-Ring Male)	9003831	1	Model 112
4	Hose Marker Sleeve - Boom Return	9003938	1	
5	Hose Marker Sleeve - Boom Pressure	9003937	1	
6	Male Tip Coupling 3/4-16 O-Ring Female Threaded	91383	2	
7	Adpater 9/16-18 JIC Male x 9/16-18 O-Ring Male	9001495	8	
8	Reducer 9/16-18 JIC Female x 9/16-18 JIC Male w/.045 Restrictor	9003303	2	
9	Hose 1/4 x 207 (9/16-18 JIC Female Both Ends) 3000PSI	9003395	1	Model 1100
	Hose 1/4 x 100 (9/16-18 JIC Female Both Ends) 3000PSI	9004774		Model 112
10	Cylinder 2 x 10 For Tilt Option	95610	2	3000PSI
11	90° Elbow 9/16-18 JIC Male x 3/4-16 O-Ring Male	9874	4	
12	Breather Plug 3/4-16	9003825	3	
13	Reducer 9/16-18 JIC Female x 9/16-18 JIC Male w/.062 Restrictor	9002199	1	
14	Hose 1/2 x 34 (9/16-18 JIC Female x 45° 3/4-16 JIC Female)	9003800	1	Model 1100
	Hose 3/8 x 40 (90° 9/16-18 JIC Female x 3/4-16 JIC Female)	9004794		Model 112
15	Accumulator 6" Dia. (400PSI)	9003796	1	
16	Tee 3/4-16 JIC Male x 3/4-16 O-Ring Male x 3/4-16 JIC Male	93588	1	
17	Hose 1/2 x 25 (3/4-16 JIC Female Both Ends) 3000PSI	9001104	1	Model 1100
	Hose 1/2 x 17 1/2 (3/4-16 JIC Female Both Ends) 3000PSI	9003834	1	Model 112
	Hose 1/2 x 23 (3/4-16 JIC Female Both Ends) 3000PSI	9003835	1	
18	90° Elbow 3/4-16 JIC Male x 3/4-16 O-Ring Male	9863	1	Model 1100
			2	Model 112
19	Tie Rod Cylinder 2 1/2 x 30 For Lift 3000PSI	9003755	1	Model 1100
	Tie Rod Cylinder 2 x 24 For Lift 3000PSI	9003680	2	Model 112
20	Hose 1/4 x 168 (9/16-18 JIC Female Both Ends) 3000PSI	9003216	1	Model 1100
	Hose 1/4 x 110 (90° 9/16-18 JIC Female x 9/16-18 JIC Female)	9004718		Model 112
21	Cylinder 2 x 14 For Main Fold 3000PSI	9003959	2	
22	Adapter 9/16-18 JIC Female x 9/16-18 JIC Male w/.030 Restrictor	95193	8	
23	90° Elbow 9/16-18 JIC Male x 9/16-18 JIC Female	9876	2	
24	Tee 9/16-18 JIC Male x 9/16-18 JIC Female x 9/16-18 JIC Male	91465	1	Model 1100
25	Latch Ram Assembly	400200	1	Model 1100
26	Hose 1/4 x 38 (9/16-18 JIC Female x 90° 9/16-18 JIC Female)	9000924	1	Model 1100
27	Tee 9/16-18 JIC Male x 9/16-18 JIC Male x 9/16-18 JIC Male	9875	4	
28	Hose 1/4 x 22 (9/16-18 JIC Female Both Ends) 3000PSI	9003897	2	
29	Hose 1/4 x 180 (9/16-18 JIC Female Both Ends) 3000PSI	95643	4	Model 1100
	Hose 1/4 x 59 (90° 9/16-18 JIC Female x 9/16-18 JIC Female)	93594		Model 112
30	Hose 1/4 x 39 1/2 (9/16-18 JIC Female Both Ends) 3000PSI	9003436	2	
31	Cylinder 2 x 16 for Outer Wing Fold 3000PSI	9004383	2	
32	Hose 1/4 x 185 (9/16-18 JIC Female x 90° 9/16-18 JIC Female)	9004061	2	3000PSI
33	Hose 1/4 x 210 (9/16-18 JIC Female Both Ends) 3000PSI	9001424	2	
34	Single Poly Clamp Pair	9003815	4	
35	Single Clamp Top Plate	9003813	4	
36	Capscrew 1/4-20UNC x 1 1/2	900900-007	8	Stainless Steel
37	Twin Poly Clamp Pair	9003816	8	
38	Twin Clamp Top Pair	9003814	8	
39	Capscrew 5/16-18UNC x 1 1/2	900900-032	8	Stainless Steel
40	Hose 3/8 x 392 (9/16-18 JIC Female x 3/4-16 O-Ring Male)	9004809	1	Model 112
41	Lock Washer 5/16	900903-019	8	Stainless Steel
42	Check Valve w/ #6 O-Ring Ports	9004059	1	
43	Adapter 9/16-18 O-Ring Male x 9/16-18 JIC Female	9002446	1	
44	Tee 9/16-18 JIC Male x 9/16-18 JIC Male x 9/16-18 O-Ring Male	9004064	1	
45	Hollow Hex Pipe Plug 1/16-27 NPT	9004326	1	
46	Hose 1/4 x 16 (9/16-18 JIC Female Both Ends) 3000PSI	93472	1	
47	Tee 3/4-16 JIC Male x 3/4-16 JIC Male x 3/4-16 JIC Female	94997	1	Model 112
48	90° Elbow 3/4-16 O-Ring Male x 3/8-18 NPTF Female	9001034	2	Model 112
49	Breather Plug 3/8 NPT	9003736	2	Model 112

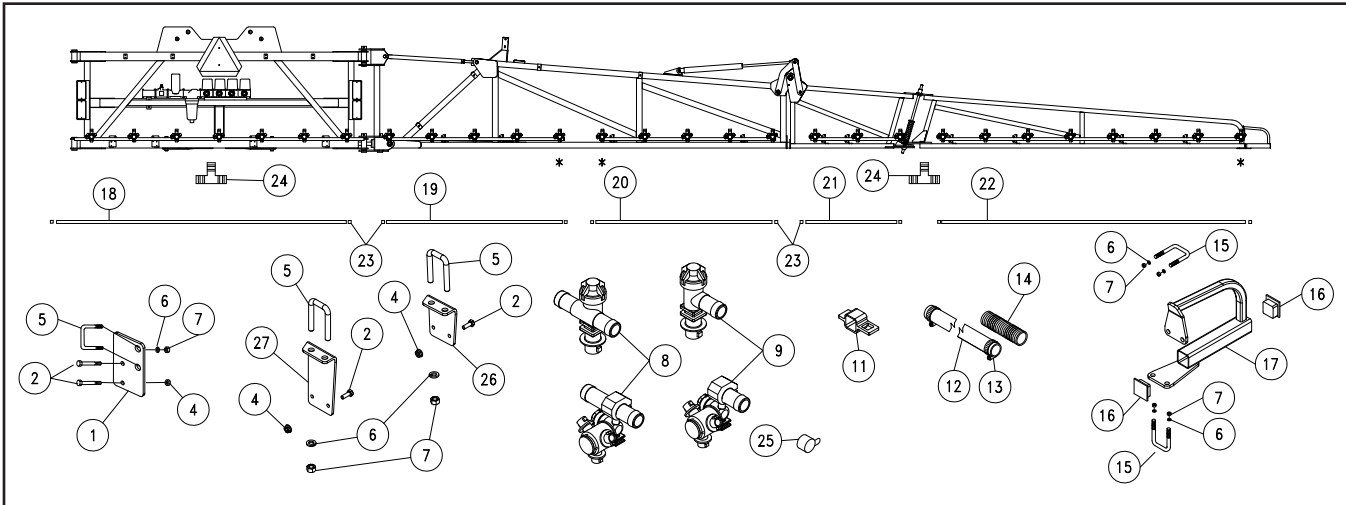
SPRAY CONTROL SYSTEM - 60' BOOMS



SPRAY CONTROL SYSTEM - 60' BOOMS

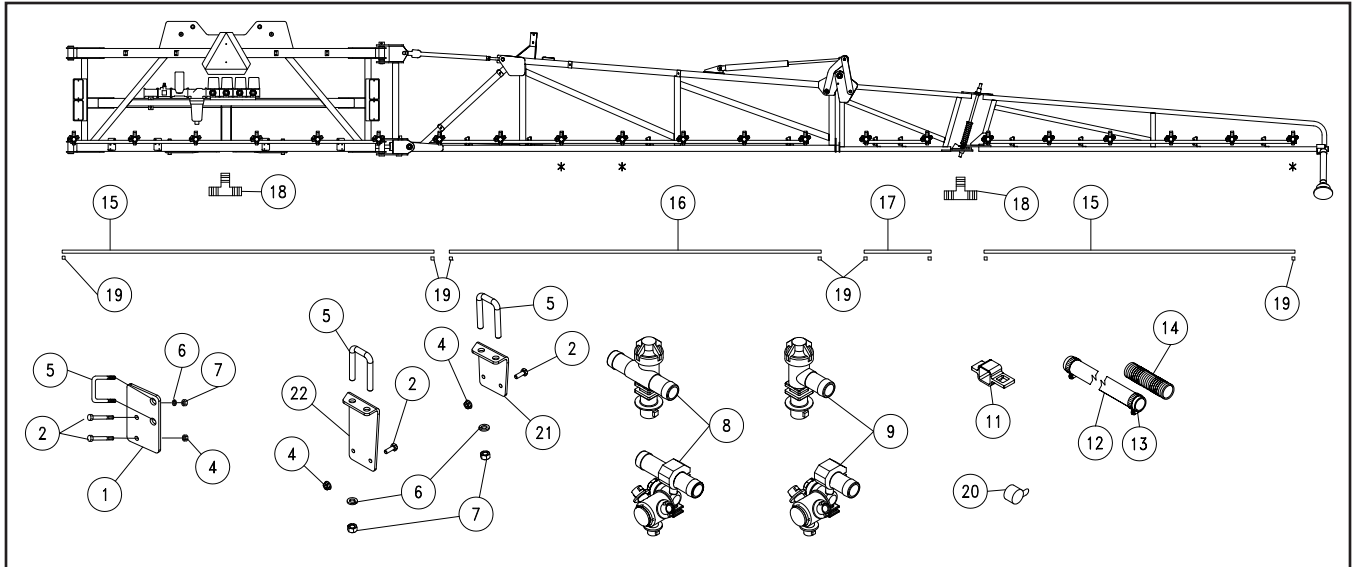
ITEM	DESCRIPTION	PART NO.	QTY	NOTES
1	Ball Valve, Single Manifold	TA854891	3/4	FLO-BAK Breakdown See Pages 56-61
	Ball Valve Flange Assembly - 3 Section	TA854833	1	
	Ball Valve Flange Assembly - 4 Section	TA854834	1	
2	Strainer, 2" Flange	TA855650	1	
3	Regulating Valve, 2" Flange	TA720260	1	Raven
4	Flowmeter, RFM 60P	TA720365	1	Raven
5	Gasket, EPDM 2" Flange	TA811944	5	
6	Clamp, 2" Worm Screw	TA815025	5	
7	Coupling, 2" x 2" x 1" Flange	TA815003	1	
8	90° Elbow 2" Flange x 1 1/2" Hose Barb	TA815020	1	
9	Hose EPDM - 1 1/2" Dia.	TA806325	AR	Specify Length in Feet
	Spiral Hose Wrap	9004130	AR	Specify Length in Feet
10	Clamp, 2" Worm Screw	TA800922	2	
11	Coupling, 2" Flange x 2" Hose Barb Straight	TA815016	1	
12	Clamp, 1" Worm Screw	TA815026	3/4	
13	Gasket, EPDM 1" Flange	TA815029	3/4	
14	90° Elbow 1" Flange x 3/4" Hose Barb	TA815017	3/4	
15	Hose Clamp	TA800912	AR	
16	Hose EPDM 3/4"	TA806250	AR	Specify Length in Feet
	Spiral Hose Wrap	9004075	AR	Specify Length in Feet
17	Tee Poly 3/4 Hose Barb x 3/4 Hose Barb x 3/4 Hose Barb	TA814891	AR	
18	90° Elbow Poly 1-11 1/2 NPTF Male x 3/4 Hose Shank	TA814965	AR	
19	Plug Poly 1" Flange	TA815022	2	FLO-BAK
	Hex Plug 1/4"	TA809875	1	
20	Hex Plug 3/8"	TA809900	AR	
21	Hose Wrap 4"	9003805	6	
22	Plate, Manifold - 4 Section Valve	406420B	1	FLO-BAK
	Plate, Manifold - 4 Section Valve	401733B	1	
	Plate, Manifold - 3 Section Valve	406346B	1	FLO-BAK
	Plate, Manifold - 3 Section Valve	402012B	1	
23	U-Bolt 3/8-16UNC x 3 1/4 x 2 3/8c/c	9004680	3	
24	Flat Washer 3/8	900902-038	2	Stainless Steel
25	Lock Washer 3/8	900903-021	6	Stainless Steel
26	Hex Nut 3/8-16UNC	900901-006	6	Stainless Steel
27	Capscrew 6MM x 20MM	9004845	2/3	FLO-BAK Stainless Steel Plated
	Capscrew 5/16-18UNC x 3/4	900900-028	2	Stainless Steel
28	Lock Washer 1/4	900903-017	2/3	FLO-BAK Stainless Steel
	Lock Washer 5/16	900903-019	2	Stainless Steel
29	Hex Nut M6-1.0	9004846	2/3	FLO-BAK Stainless Steel Plated
	Hex Nut 5/16-18UNC	900901-004	2	Stainless Steel
30	Plumbing Bracket Plate	401321B	1	
31	U-Bolt 1/4-20UNC x 3.5 x 2.87c/c	9004681	1	Stainless Steel
32	Lock Washer 1/4	900903-017	2	Stainless Steel
33	Hex Nut 1/4-20UNC	900901-002	2	Stainless Steel
34	Cable Tie 21 1/2	9000104	AR	Used As Required
35	Cable Tie 6"	9000106	AR	Used As Required
36	P-Clip, 2 1/2" ID	9003837	1	
37	Hose Barb 1" Flange x 3/4" Hose Shank	TA815012	1	
38	Reducer Bushing 2" Std Port x 1" Flange	TA816003	1	
39	Hose Clamp	TA800910	2	
40	Hose EPDM 3/4"	TA806250	AR	
41	Clamp 460 FLO-BAK	TA854897	2	

SPRAY PLUMBING - 60' 3-SECTION BOOM - 15" SPACING



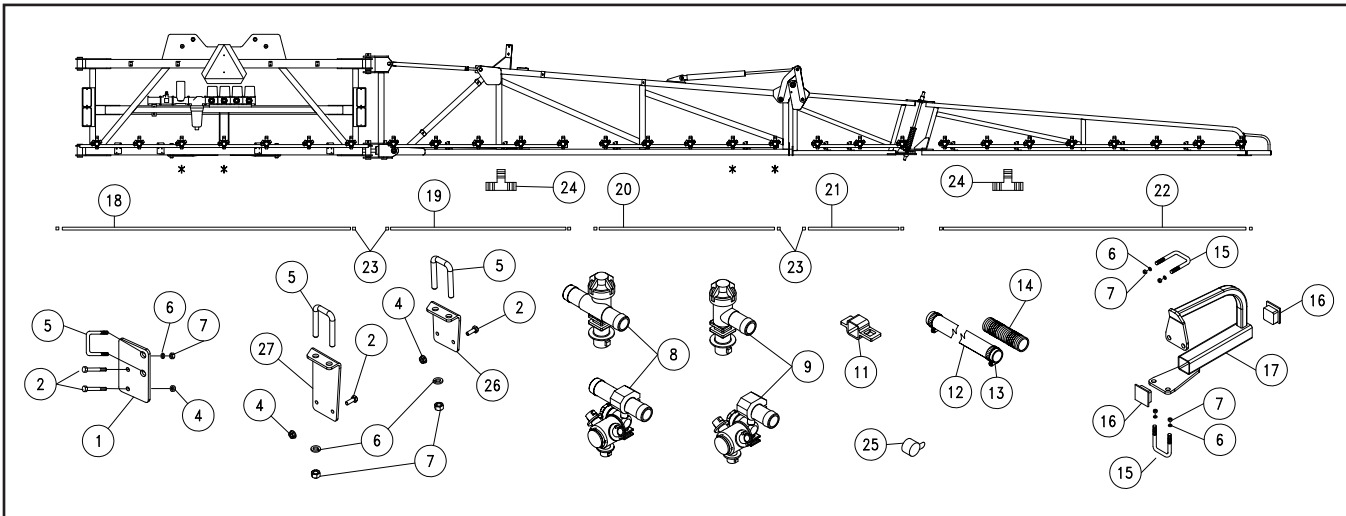
ITEM	DESCRIPTION	PART NO.	QTY	NOTES
1	Nozzle Tube Bracket	402724B	4	Center Section
2	Capscrew 1/4-20UNC x 3/4	900900-003	48	Stainless Steel
4	Flange Nut 1/4-20UNC	9004720	48	Stainless Steel
5	U-Bolt 3/8-16UNC x 1.88 x 1.375 c/c	TA510024	24	
6	Lock Washer 3/8	900903-021	56	Stainless Steel
7	Hex Nut 3/8-16UNC	900901-006	56	Stainless Steel
8	Nozzle Body, Tee Triple	TA885410	43	
	Nozzle Body, Tee Single	TA886025	43	
9	Nozzle Body, Elbow Triple	TA885400	6	* Location Above of Elbow
	Nozzle Body, Elbow Single	TA886010	6	* Location Above of Elbow
11	Nozzle Clamp	TA880021	49	
12	Hose EPDM 3/4"	TA806250	AR	Specify Length in Feet
13	Hose Clamp	TA800910	101	
14	Spiral Hose Wrap	9004075	AR	Specify Length in Feet
15	U-Bolt 3/8-16UNC x 2 3/4 x 1 7/8 c/c	9004685	4	Stainless Steel
16	Plastic Plug 1 1/2"	9001645	4	
17	Guard Weldment	402742B	2	Only used with 15" Spacing
18	Nozzle Tube, 102"	402120B	1	
19	Nozzle Tube, 62 19/32	402739B	2	
20	Nozzle Tube, 62"	402741B	2	
21	Nozzle Tube, 32 23/32"	402740B	2	
22	Nozzle Tube, 107"	402246B	2	
23	Plastic Plug 1"	9004071	18	
24	Hose Barb Tee 3/4"	TA814891	3	
25	Plastic Plug Tapered	9003939	A/R	Used with Triple Nozzle
26	Nozzle Tube Bracket (Outer Wing)	402733B	12	
27	Nozzle Tube Bracket (Main Wing)	407383B	8	

SPRAY PLUMBING - 60' 3-SECTION BOOM - 20" SPACING



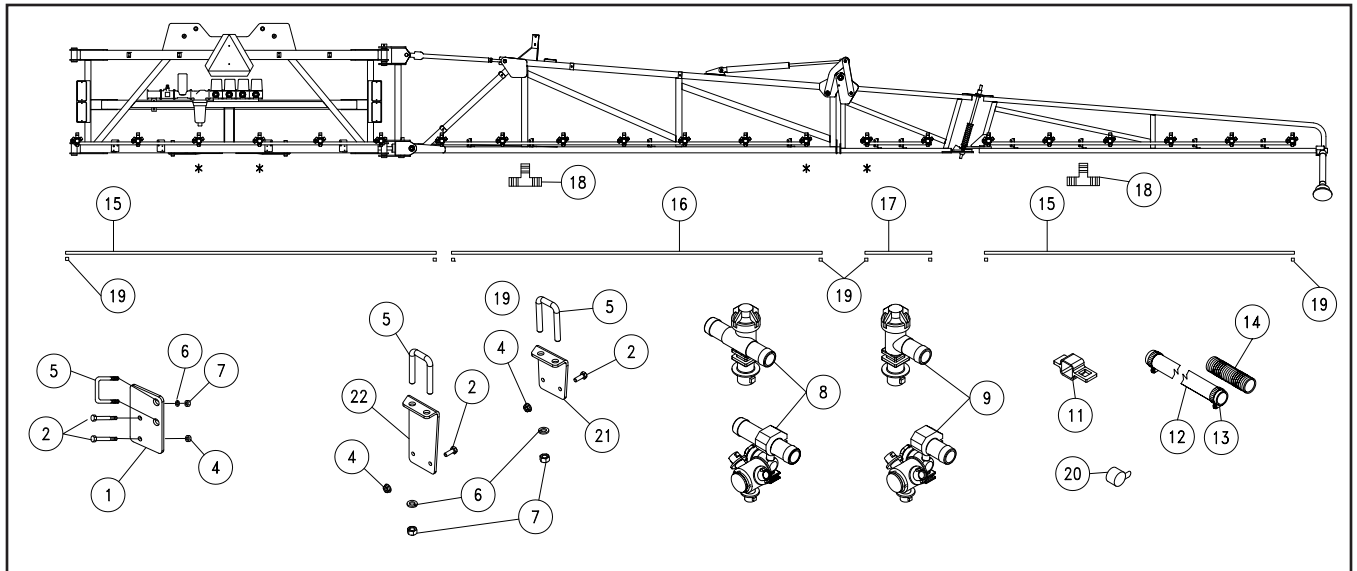
ITEM	DESCRIPTION	PART NO.	QTY	NOTES
1	Nozzle Tube Bracket	402724B	20	Center Section
2	Capscrew 1/4-20UNC x 3/4	900900-003	48	Stainless Steel
4	Flange Nut 1/4-20UNC	9004720	48	Stainless Steel
5	U-Bolt 3/8-16UNC x 1.88 x 1.375 c/c	TA510024	24	
6	Lock Washer 3/8	900903-021	48	Stainless Steel
7	Hex Nut 3/8-16UNC	900901-006	48	Stainless Steel
8	Nozzle Body, Tee Triple	TA885410	30	
	Nozzle Body, Tee Single	TA886025	30	
9	Nozzle Body, Elbow Triple	TA885400	6	* Location Above of Elbow
	Nozzle Body, Elbow Single	TA886010	6	* Location Above of Elbow
11	Nozzle Clamp	TA880021	36	
12	Hose EPDM 3/4"	TA806250	AR	Specify Length in Feet
13	Hose Clamp	TA800910	75	
14	Spiral Hose Wrap	9004075	AR	Specify Length in Feet
15	Nozzle Tube, 102"	402120B	3	
16	Nozzle Tube, 122"	402245B	2	
17	Nozzle Tube, 22"	403737B	2	
18	Hose Barb Tee 3/4"	TA814891	3	
19	Plastic Plug 1"	9004071	14	
20	Plastic Plug Tapered	9003939	A/R	Used with Triple Nozzle
21	Nozzle Tube Bracket (Outer Wing)	402733B	12	
22	Nozzle Tube Bracket (Main Wing)	407383B	8	

SPRAY PLUMBING - 60' 4-SECTION BOOM - 15" SPACING



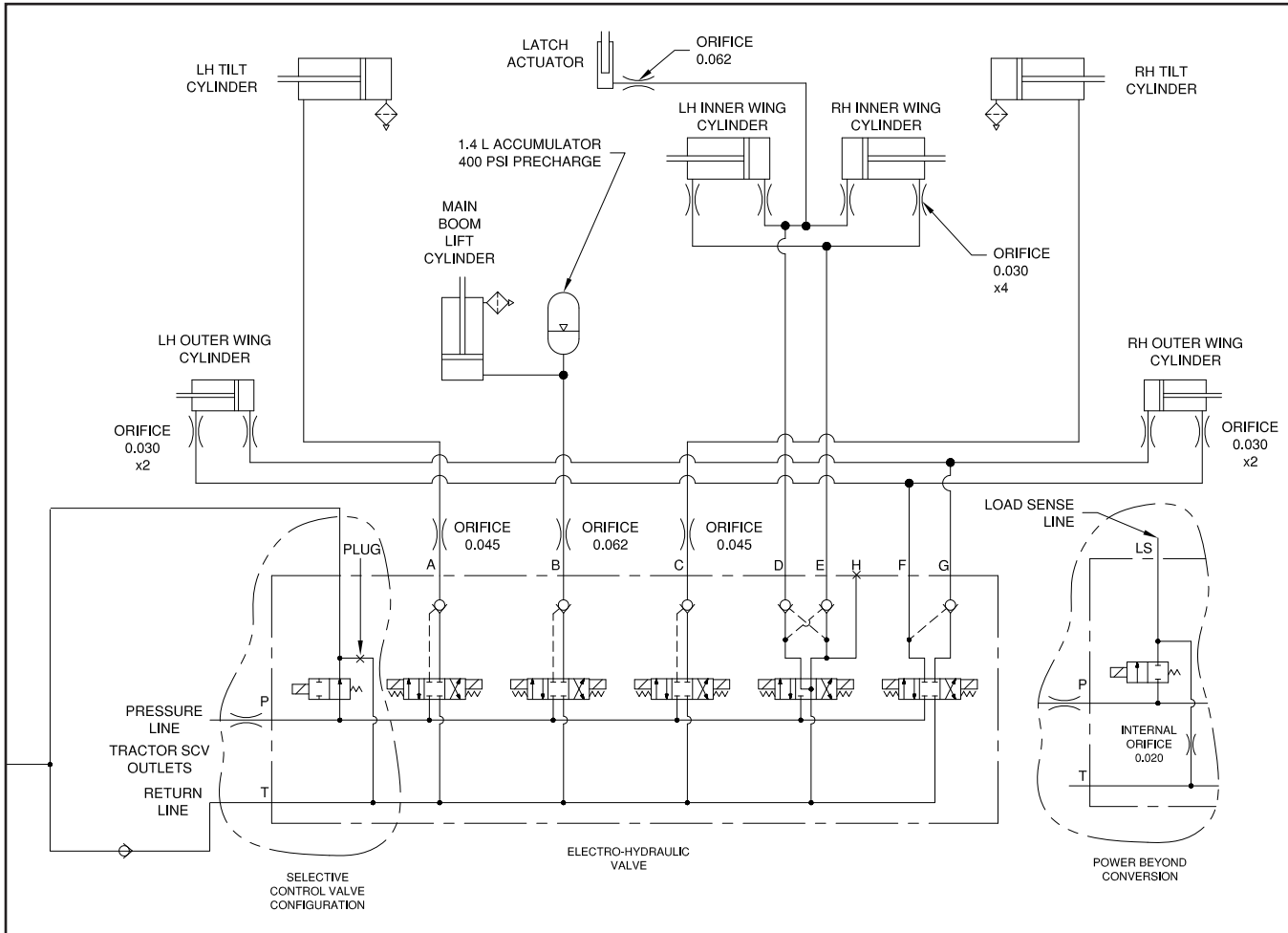
ITEM	DESCRIPTION	PART NO.	QTY	NOTES
1	Nozzle Tube Bracket	402724B	4	Center Section
2	Capscrew 1/4-20UNC x 3/4	900900-003	48	Stainless Steel
4	Flange Nut 1/4-20UNC	9004720	48	Stainless Steel
5	U-Bolt 3/8-16UNC x 1.88 x 1.375 c/c	TA510024	24	
6	Lock Washer 3/8	900903-021	56	Stainless Steel
7	Hex Nut 3/8-16UNC	900901-006	56	Stainless Steel
8	Nozzle Body, Tee Triple	TA885410	41	
	Nozzle Body, Tee Single	TA886025	41	
9	Nozzle Body, Elbow Triple	TA885400	8	* Location Above of Elbow
	Nozzle Body, Elbow Single	TA886010	8	* Location Above of Elbow
11	Nozzle Clamp	TA880021	49	
12	Hose EPDM 3/4"	TA806250	AR	Specify Length in Feet
13	Hose Clamp	TA800910	102	
14	Spiral Hose Wrap	9004075	AR	Specify Length in Feet
15	U-Bolt 3/8-16UNC x 2 3/4 x 1 7/8 c/c	9004685	4	Stainless Steel
16	Plastic Plug 1 1/2"	9001645	4	
17	Guard Weldment	402742B	2	Only used with 15" Spacing
18	Nozzle Tube, 102"	402120B	1	
19	Nozzle Tube, 62 19/32	402739B	2	
20	Nozzle Tube, 62"	402741B	2	
21	Nozzle Tube, 32 23/32"	402740B	2	
22	Nozzle Tube, 107"	402246B	2	
23	Plastic Plug 1"	9004071	18	
24	Hose Barb Tee 3/4"	TA814891	4	
25	Plastic Plug Tapered	9003939	A/R	Used with Triple Nozzle
26	Nozzle Tube Bracket (Outer Wing)	402733B	12	
27	Nozzle Tube Bracket (Main Wing)	407383B	8	

SPRAY PLUMBING - 60' 4-SECTION BOOM - 20" SPACING

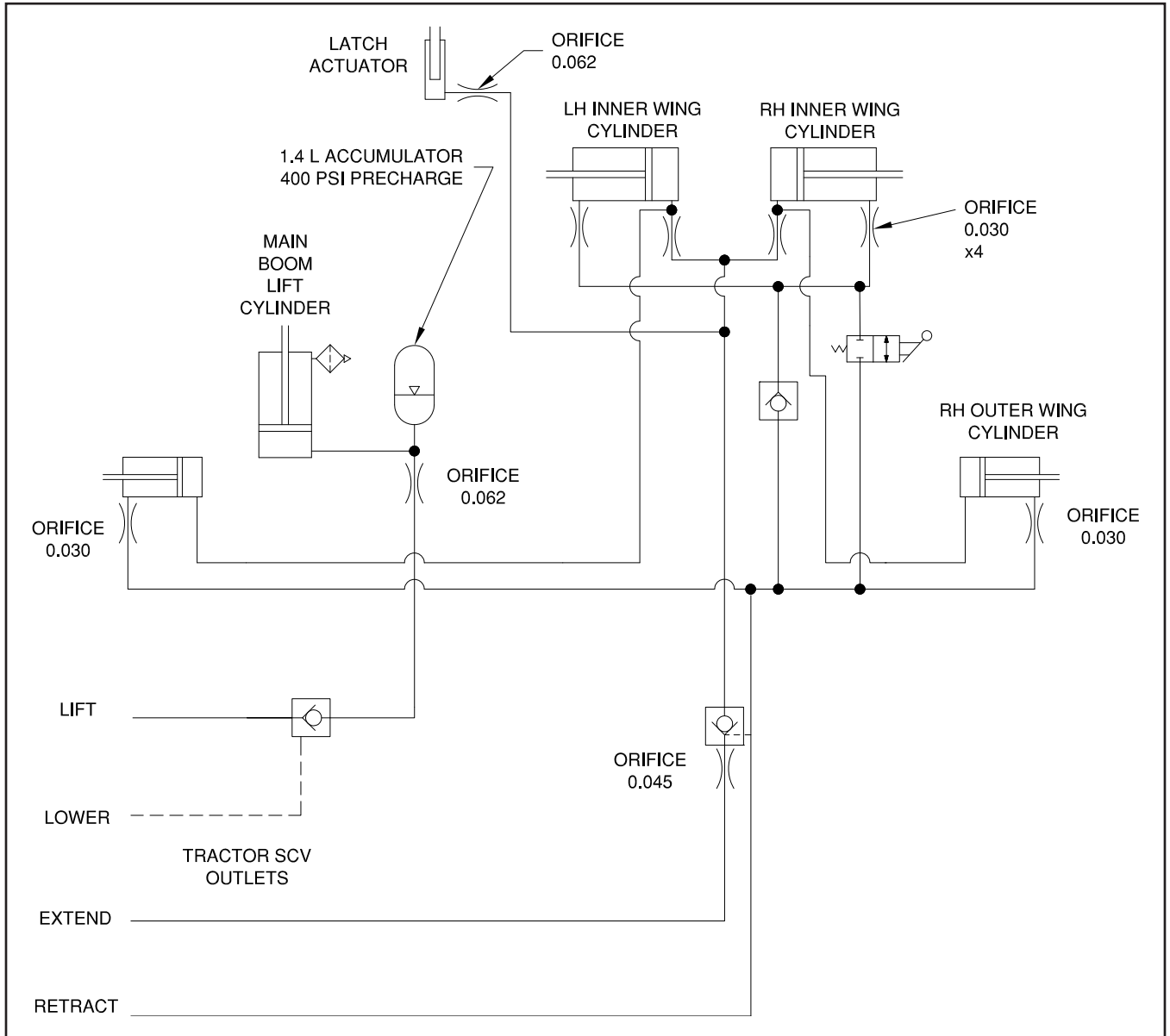


ITEM	DESCRIPTION	PART NO.	QTY	NOTES
1	Nozzle Tube Bracket	402724B	4	Center Section
2	Capscrew 1/4-20UNC x 3/4	900900-003	48	Stainless Steel
4	Flange Nut 1/4-20UNC	9004720	48	Stainless Steel
5	U-Bolt 3/8-16UNC x 1.88 x 1.375 c/c	TA510024	24	
6	Lock Washer 3/8	900903-021	56	Stainless Steel
7	Hex Nut 3/8-16UNC	900901-006	56	Stainless Steel
8	Nozzle Body, Tee Triple	TA885410	43	
	Nozzle Body, Tee Single	TA886025	43	
9	Nozzle Body, Elbow Triple	TA885400	8	* Location Above of Elbow
	Nozzle Body, Elbow Single	TA886010	8	* Location Above of Elbow
11	Nozzle Clamp	TA880021	36	
12	Hose EPDM 3/4"	TA806250	AR	Specify Length in Feet
13	Hose Clamp	TA800910	76	
14	Spiral Hose Wrap	9004075	AR	Specify Length in Feet
15	Nozzle Tube, 102"	402120B	3	
16	Nozzle Tube, 122"	402245B	2	
17	Nozzle Tube, 22"	403737B	2	
18	Hose Barb Tee 3/4"	TA814891	4	
19	Plastic Plug 1"	9004071	14	
20	Plastic Plug Tapered	9003939	A/R	Used with Triple Nozzle
21	Nozzle Tube Bracket (Outer Wing)	402733B	12	
22	Nozzle Tube Bracket (Main Wing)	407383B	8	

HYDRAULIC SCHEMATIC WITH TILT



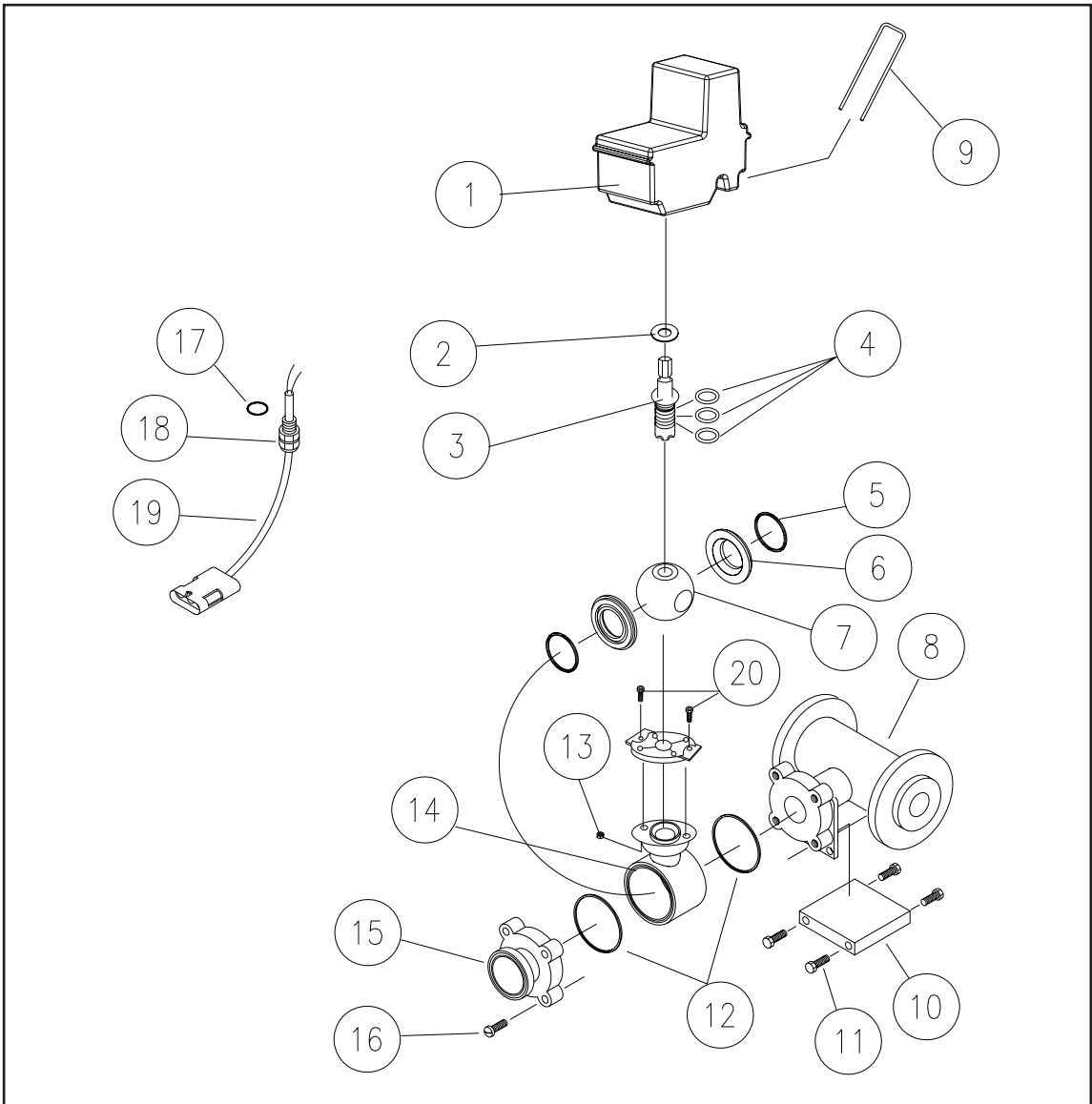
HYDRAULIC SCHEMATIC WITHOUT TILT



NOTES

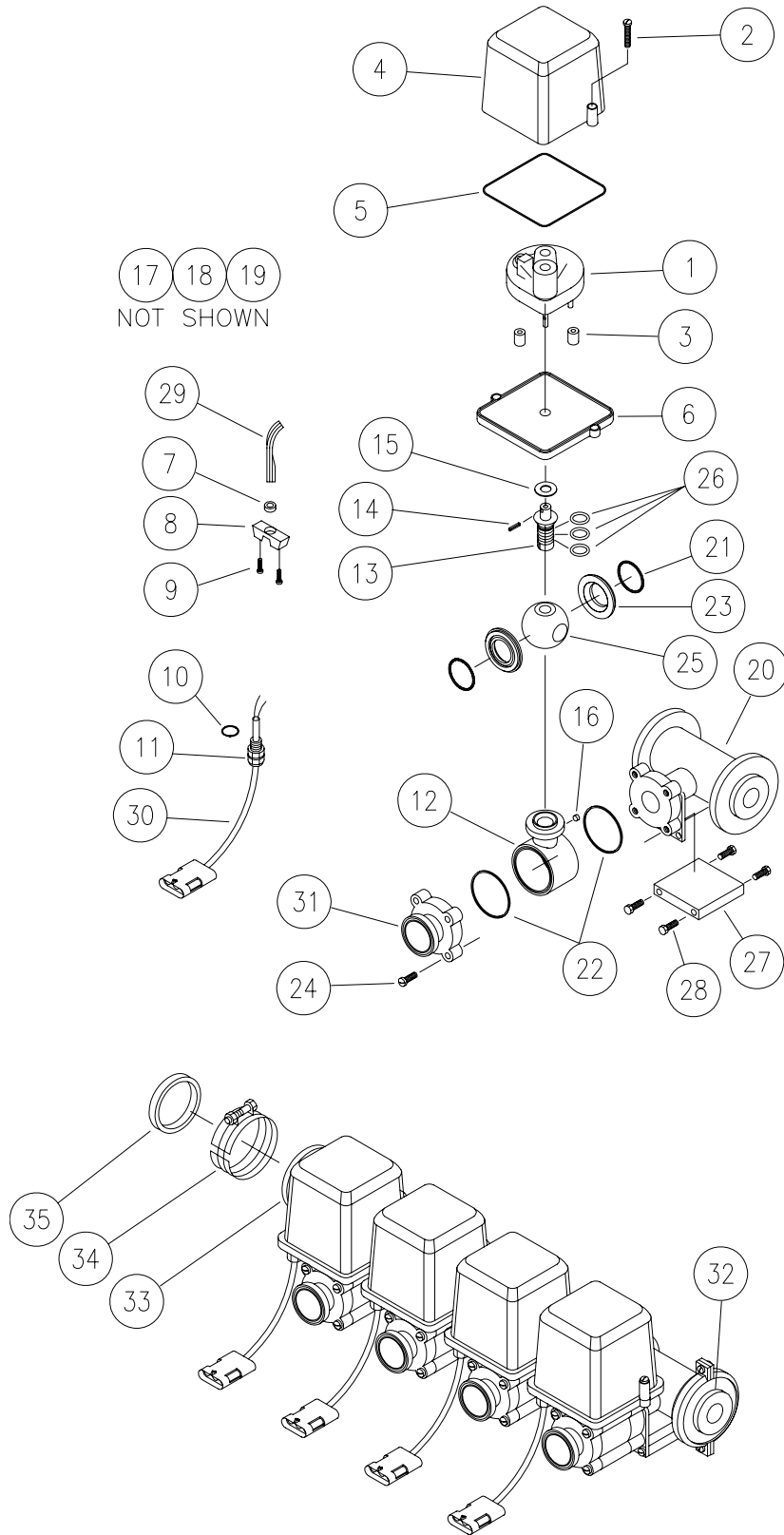
BALL VALVE MANIFOLD

ITEM	DESCRIPTION	PART NO.	QTY.	NOTES
	Ball Valve Manifold, 1-Section	TA854831		
1	Motor	TA854874		
2	Thrust Washer, Teflon	TA883111		
3	O-Ring, Viton	TA883106		
4	O-Ring, Viton	TA883101		
5	Seal, Teflon	TA883103		
6	Tee Body, Nylon - Black (#75)	TA854872		
7	Retainer Clip	TA854875		
8	Gasket, Viton	TA883102		
9	Body, Nylon - Black	TA883110		
10	End Cap, Nylon - Black (#50 Flg)	TA883113		
11	Pan Head Screw, S.S.	TA883104		
12	O-Ring, Buna-N	TA883108		
13	Strain Relief, Nylon - Black	TA883109		



401983

BALL VALVE MANIFOLD

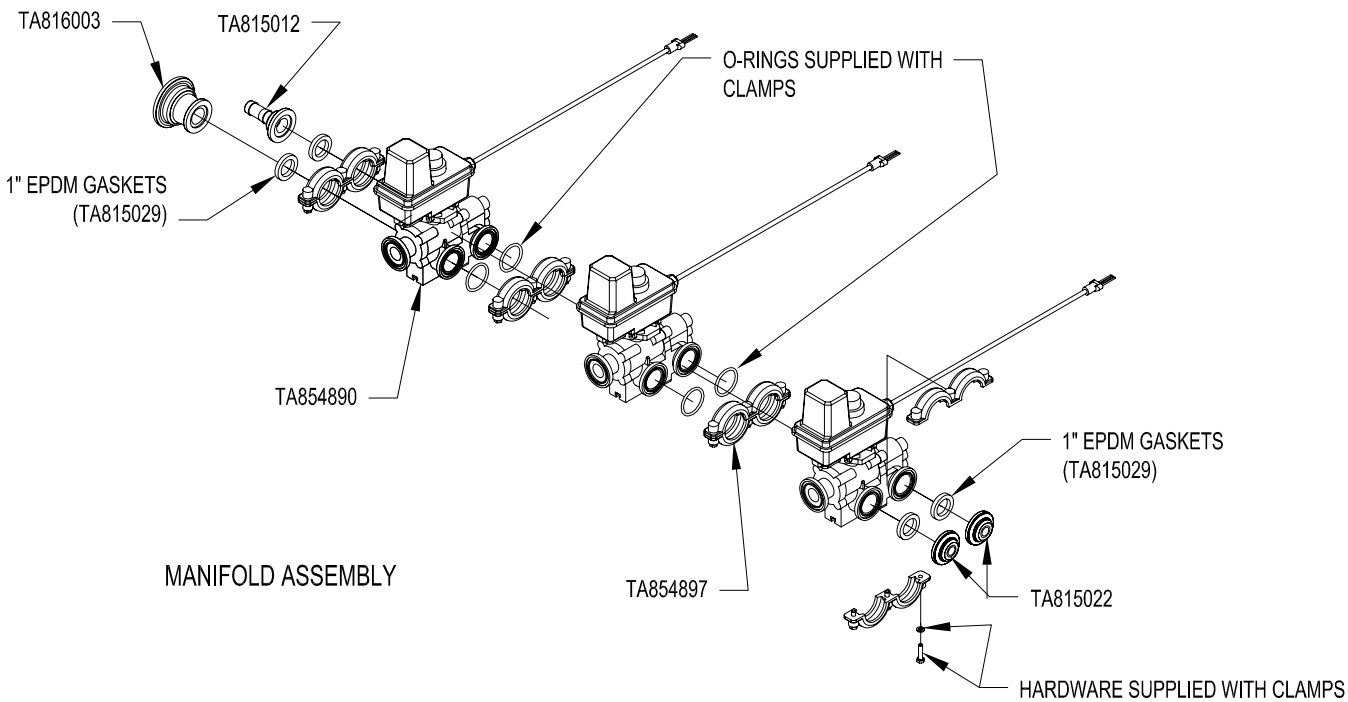
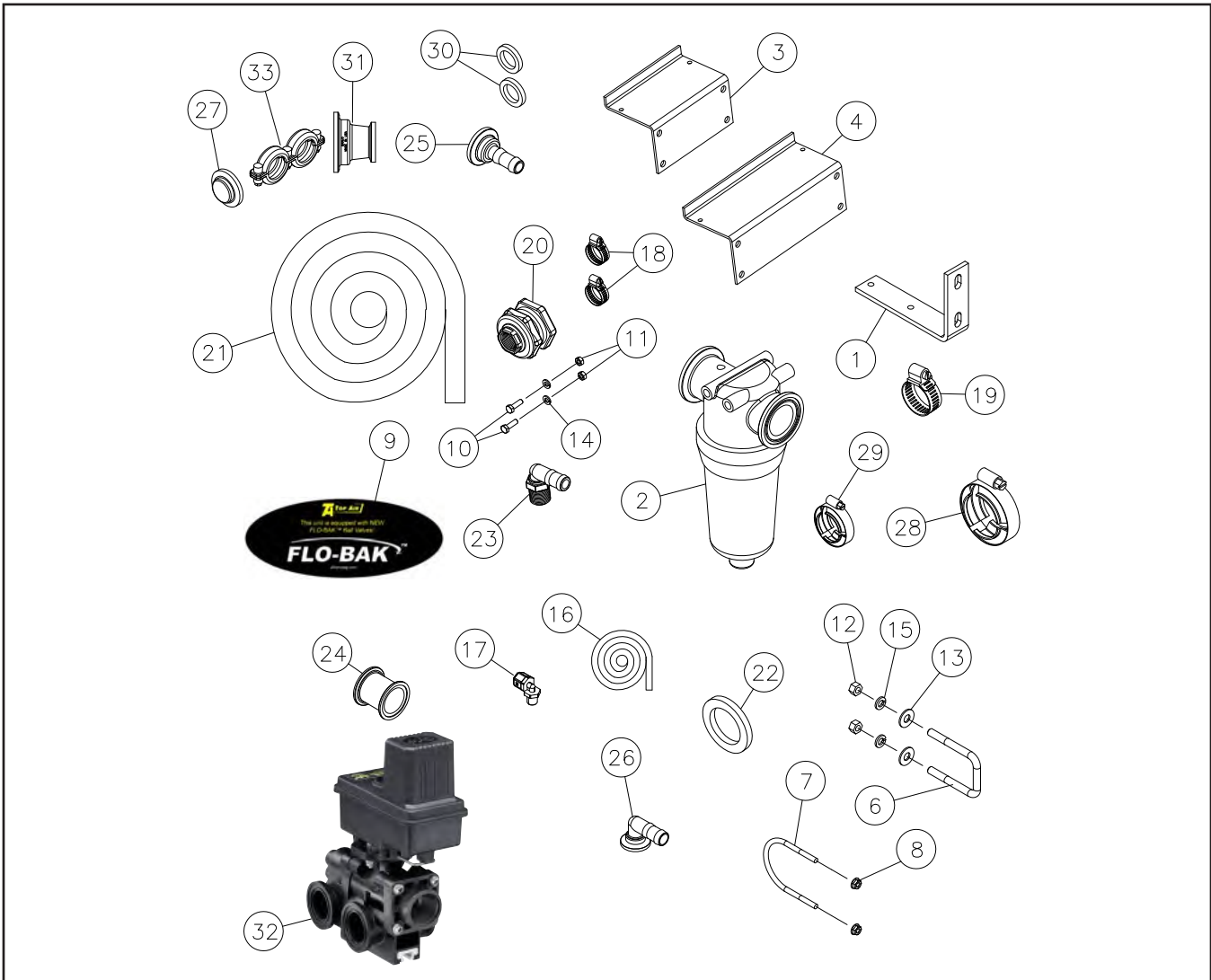


401983

BALL VALVE MANIFOLD

ITEM	DESCRIPTION	PART NO.	QTY.	NOTES
	Ball Valve Manifold, 3-section	TA854842	1	
	Ball Valve Manifold, 4-section	TA854843	1	
	Ball Valve Single - Incl. 1-31	TA854841	3,4	
	Repair Kit, Incl. Items *	TA860205		
1	Motor, 18 rpm EC Shut-off	TA854873	1	
2	Phillips Pan Head Screw, S.S.	-	4	
3	Motor Mount, Neoprene	-	2	
4	Motor Cover, Poly - Black	TA883005	1	
5	O-Ring, EPR	TA883107	1	
6	Mounting Plate, Nylon - Black	-	1	
7	Grommet, EPR	-	1	
8	Grommet Retainer, Nylon - Black	-	1	
9	Slotted Hex Screw, S.S	-	2	
10	O-Ring, Buna-N	TA883108	1	
11	Strain Relief, Nylon - Black	TA883109	1	
12	Body, Nylon - Black	TA883110	1	
13	Ball Valve Stem, Nylon - Black	TA883100	1	
14	Spring Pin, S.S.	-	1	
*15	Thrust Washer, Teflon	TA883111	1	
*16	Dust Plug, Felt	TA883112	1	
17	Stud, Self-clinching - S.S.	-	2	
18	Lockwasher, S.S.	-	2	
19	Nut, 1/4-20 S.S.	-	2	
20	Tee Body, Nylon - Black (#75)	TA854872	1	
*21	O-Ring, Viton	TA883101	2	
*22	Gasket, Viton	TA883102	2	
*23	Seal, Teflon	TA883103	2	
24	Pan Head Screw, S.S.	TA883104	4	
25	Ball (2-way), Poly - White	TA883105	1	
*26	O-Ring, Viton	TA883106	3	
27	Mounting Bar, Aluminum	-	4	
28	Hex Head Screw, S.S.	-	1	
29	Control Harness Sub-Assy	-	1	
30	Control Cable Sub-Assy	-	1	
31	End Cap, Nylon - Black (#50 Flg)	TA883113	1	
32	Flanged Gauge Port	TA883114	1	
33	Flanged Adapter, 2" FI x 1 1/2 FPT	TA883115	1	
34	Worm Screw Clamp, 2"	TA815025	4	
35	Gasket, 2" x 1 5/8" ID	TA811944	4	

FLO-BAK™ BALL VALVE MANIFOLD



FLO-BAK™ BALL VALVE MANIFOLD

ITEM	DESCRIPTION	PART NO.	QTY	
			3 SECTION	4 SECTION
1	Plumbing Bracket Plate	401321B	1	1
2	Strainer-2" Flanged Line	402255	1	1
3	Manifold Bracket Plate 7" Long	406346B	1	-
4	Manifold Bracket Plate 10 1/4" Long	406420B	-	1
6	U-Bolt 3/8-16UNC (Stainless Steel)	9004680	3	3
7	U-Bolt 1/4-20UNC (Stainless Steel)	9004681	1	1
8	Flange Nut 1/4-20UNC (Stainless Steel)	9004720	2	2
9	Decal - Flo-Bak Ball Valve	9004820	1	1
10	Capscrew 6MMx20MM (Stainless Steel)	9004845	2	2
11	Hex Nut M6-1.0 (Stainless Steel)	9004846	2	2
12	Hex Nut 3/8-16UNC (Stainless Steel)	900901-006	6	6
13	Flat Washer 3/8 (Stainless Steel)	900902-038	2	2
14	Lock Washer 1/4 (Stainless Steel)	900903-017	2	2
15	Lock Washer 3/8 (Stainless Steel)	900903-021	6	6
16	1/4" Gauge Tubing	TA720620	A/R	A/R
17	Elbow 1/4" MPT x 1/4" Gauge Tube	TA720802	1	1
18	Hose Clamp SC-12 (Stainless Steel)	TA800910	2	2
19	Hose Clamp SC-32 (Stainless Steel)	TA800920	2	2
20	Tank Fitting 3/4" Double Threaded	TA805408	1	1
21	Hose EPDM 3/4" Dia.	TA806250	A/R	A/R
22	Gasket 2 3/16" OD x 1 5/8 ID (#150G)	TA811944	3	3
23	90° Elbow Hose Barb 3/4-14 NPTF Male x 3/4 Hose Shank	TA814961	1	1
24	Coupling Poly 2" Flange x 2" Flange	TA815003	1	1
25	Hose Barb 1" Flange x 3/4" Hose Shank	TA815012	1	1
26	90° Elbow Poly 1" Flange x 1" Hose Barb	TA815018	3	4
27	Plug 1" Flange	TA815022	2	2
28	Flange Clamp 2" w/Worm Screw Clamp	TA815025	3	3
29	Flange Clamp 1" w/Worm Screw Clamp	TA815026	3	4
30	Gasket/Seal 1" EPDM	TA815029	7	8
31	Reducer 2" Standard Flange x 1" Flange	TA816003	1	1
32	Ball Valve, 460-Flo-Bak (Single Manifold)	TA854891	3	4
33	Clamp, 460-Flo-Bak	TA854897	4	5

